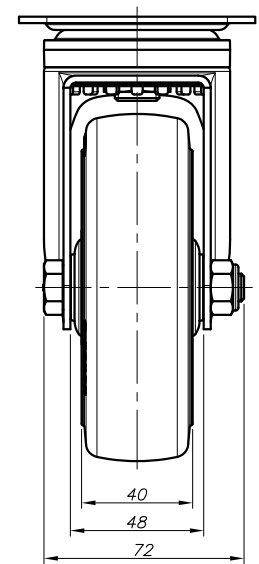
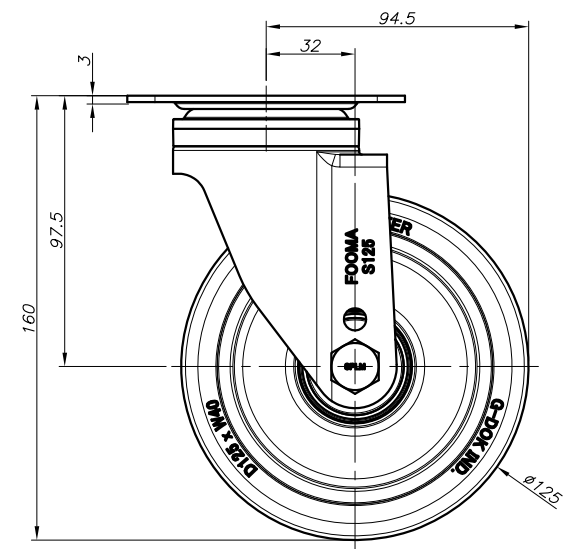
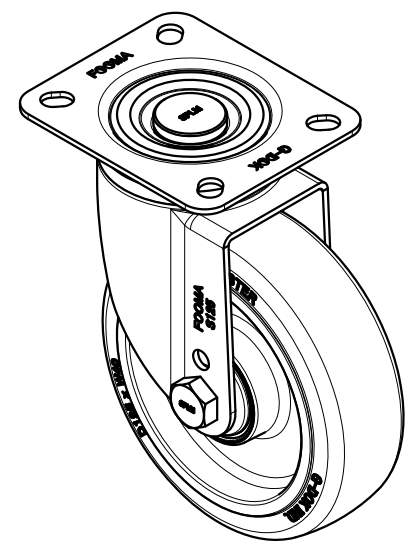
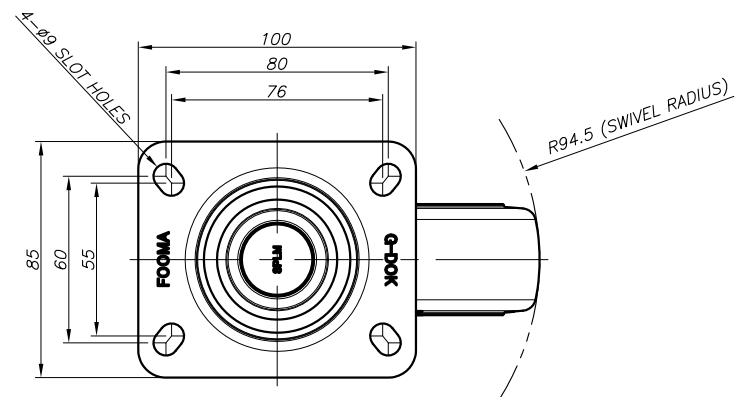


REV. NO.	DATE	DESCRIPTION	APP'D	REMARKS
1	-	-	-	-

0



NOTE  
 1) MATERIAL : STAINLESS

NO.	DESCRIPTION	UNIT	Q'TY	MATERIAL	WEIGHT	SPECIFICATION	REMARKS
--	--	-	-	-	-	-	-

PROCESS		MATERIAL		APPROVED BY		CHECKED BY		DRAWN BY	
--		--		O.C.K		J.Y.H		K.S.J	

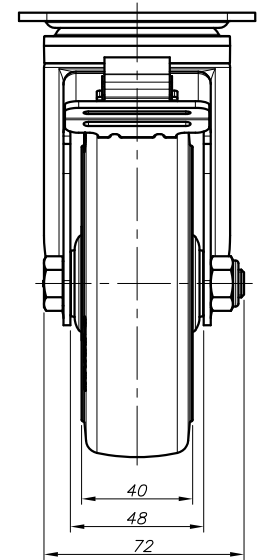
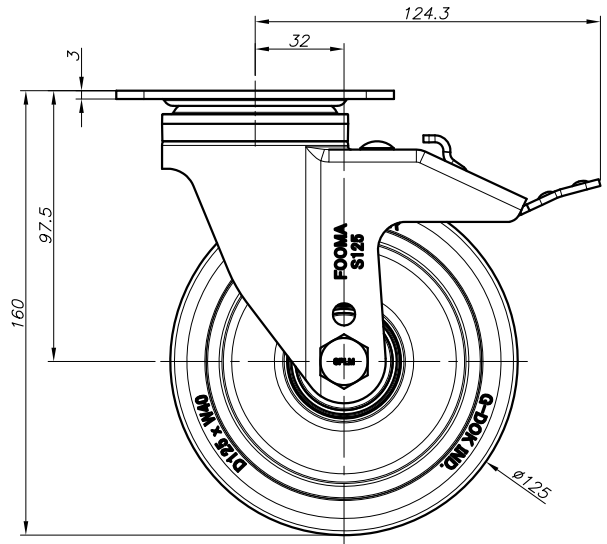
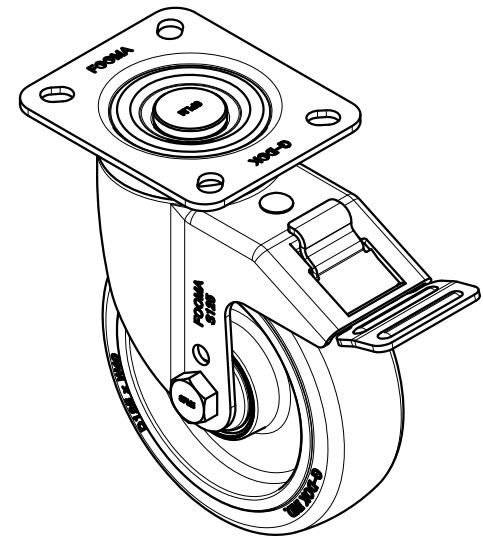
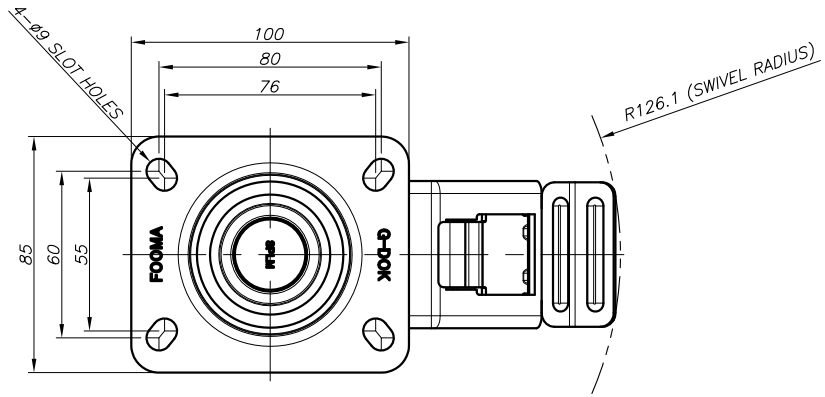
FOOT MASTER®		FOOMA®		G-DOK IND.	
SERIES NAME	SPLM-SERIES	DATE	2025.02.19	GSN NO.	39311-211111
PRODUCT NAME	SPLM-125-ASF-HRD-PEU	SCALE	1/2	DWG. NO.	39311-211111
PART NAME	ASSEMBLY	WEIGHT	--	REVISION	SIZE A3
GENERAL TOLERANCE		B		ANGLE	

GENERAL TOLERANCE									
MACHINING WORKING		DIE CASTINGS		INJECTION MOLDING		PRESS WORKING		UNIT	
mm	mm	mm	mm	mm	mm	mm	mm	mm	mm
0.5 - 6	±0.15	±0.1	±0.2	±0.2	±0.2	±0.2	±0.2	±0.2	mm
6 - 30	±0.1	±0.1	±0.2	±0.2	±0.2	±0.2	±0.2	±0.2	mm
30 - 120	±0.15	±0.1	±0.2	±0.2	±0.2	±0.2	±0.2	±0.2	mm
120 - 400	±0.2	±0.15	±0.2	±0.2	±0.2	±0.2	±0.2	±0.2	mm
400 - 1000	±0.3	±0.2	±0.2	±0.2	±0.2	±0.2	±0.2	±0.2	mm

PRODUCT GENERAL TOLERANCE			
CENTER HEIGHT	WHEEL OUTER DIAMETER	WHEEL HUB WIDTH	WHEEL HUB BORE
0.5 - 6	±0.15	±0.1	±0.2
6 - 30	±0.1	±0.1	±0.2
30 - 120	±0.15	±0.1	±0.2
120 - 400	±0.2	±0.15	±0.2
400 - 1000	±0.3	±0.2	±0.2

REV. NO.	DATE	DESCRIPTION	APP'D	REMARKS
1	-	-	-	-

0



NOTE  
 1) MATERIAL : STAINLESS

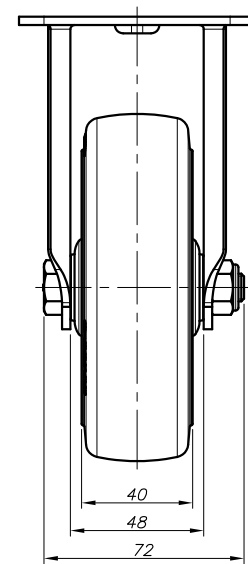
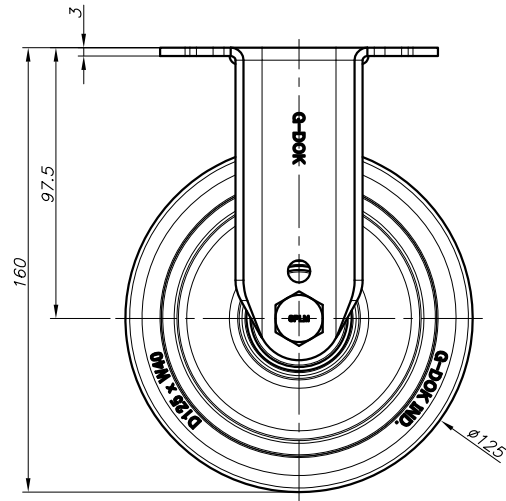
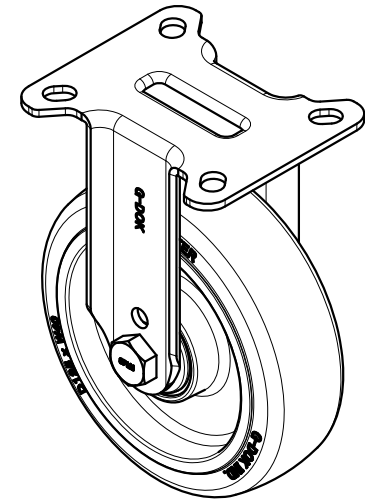
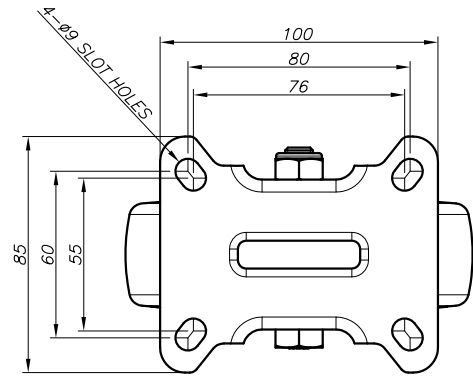
PROCESS		MATERIAL		GENERAL TOLERANCE															
---		---		MACHINING WORKING				DIE CASTINGS				INJECTION MOLDING				PRESS WORKING			
				ANG2	PREC2	CON2	ANG2	PREC2	CON2	ANG2	PREC2	CON2	ANG2	PREC2	CON2	ANG2	PREC2	CON2	
APPROVED BY	CHECKED BY	DRAWN BY	PRODUCT GENERAL TOLERANCE																
O.C.K	J.Y.H	K.S.J	CASTER HEIGHT	WHEEL OUTER DIAMETER	WHEEL HUB WIDTH														
			PRECISION	CONGRUITY	PRECISION	CONGRUITY	PRECISION	CONGRUITY											
			±0.05 (Max)	±0.1 (Max)	±0.1 (Max)	±0.1 (Max)	±0.1 (Max)	±0.1 (Max)											

FOOT MASTER®		FOOMA®		G-DOK IND.	
SERIES NAME	SPLM-SERIES	DATE	2025.02.19	GSN NO.	39331-211111
PRODUCT NAME	SPLM-125-BSF-HRD-PEU	SCALE	1/2	DWG. NO.	39331-211111
PART NAME	ASSEMBLY	WEIGHT	--	REVISION	SIZE A3
GENERAL TOLERANCE		B	ANGLE		

FOOT MASTER G-DOK IND.

REV. NO.	DATE	DESCRIPTION	APP'D	REMARKS
1	-	-	-	-

0



**NOTE**

1) MATERIAL : STAINLESS

PROCESS		MATERIAL		GENERAL TOLERANCE																			
---		---		MACHINING WORKING				DIE CASTINGS				INJECTION MOLDING				PRESS WORKING							
				DIMZ		PRECISION		GRADE		DIMZ		PRECISION		GRADE		DIMZ		PRECISION		GRADE			
APPROVED BY		CHECKED BY		DRAWN BY		CASTER HEIGHT		WHEEL OUTER DIAMETER		WHEEL INNER DIAMETER		WHEEL HUB WIDTH		PRESSING		GENERAL		PRESSING		GENERAL			
O.C.K		J.Y.H		K.S.J		6-30		±0.1		±0.2		2-8		H1		H2		2-10		H1		H2	
						30-120		±0.15		±0.1		2-8		H1		H2		2-10		H1		H2	
						120-400		±0.2		±0.5		2-10		H1		H2		2-10		H1		H2	
						400-1000		±0.3		±0.8		2-10		H1		H2		2-10		H1		H2	

NO.		DESCRIPTION		UNIT	Q'TY	MATERIAL	WEIGHT	SPECIFICATION	REMARKS
---	---	---	---	---	---	---	---	---	---

<b>FOOT MASTER®</b>		<b>FOOMA®</b>		<b>G-DOK IND.</b>			
SERIES NAME	SPLM-SERIES		DATE	2025.02.19	GSN NO.	39321-211111	
PRODUCT NAME	SPLM-125-ARF-HRD-PEU		SCALE	1/2	DWG. NO.	39321-211111	
PART NAME	ASSEMBLY		WEIGHT	---	REVISION	SIZE	A3
GENERAL TOLERANCE			B	ANGLE			

FOOT MASTER G-DOK IND.