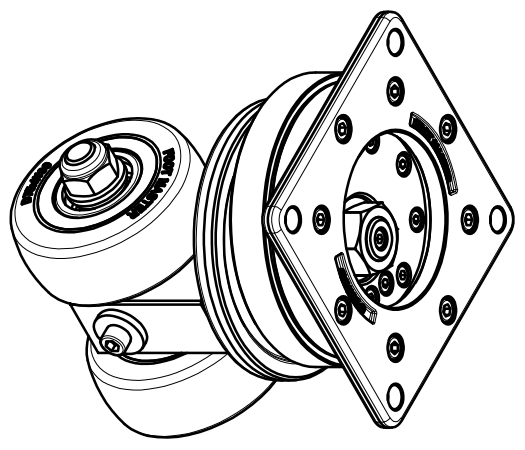
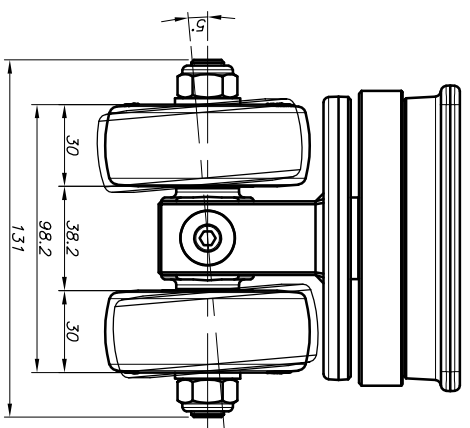
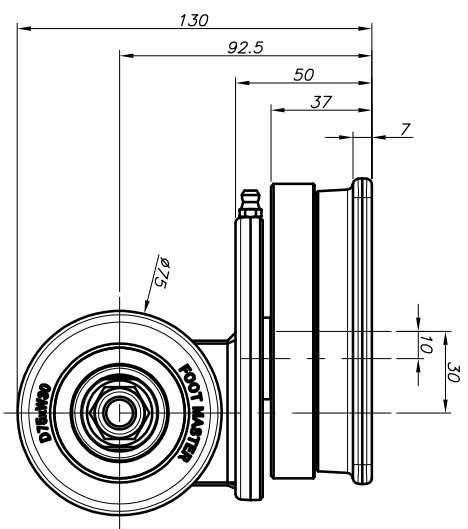
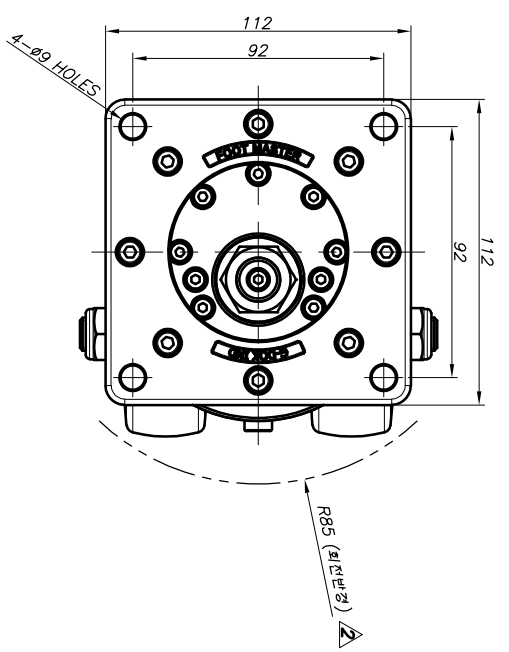


0



NOTE
주1) 허용하중 : 250KG/EA

REV. NO.	DATE	DESCRIPTION	APP'D.	REMARKS
1	2024.05.09	제품 개발서	O.C.K	-
2	2024.12.16	제품서 명도 변경	O.C.K	-

PROCESS		APPROVED BY		CHECKED BY		DRAWN BY	
PROCESS	---	APPROVED BY	O.C.K	CHECKED BY	---	DRAWN BY	J.T.H

GENERAL TOLERANCE		CUSTOMER		FOOMMA®		G-DOK IND.	
NAME	FOOT MASTER	CUSTOMER	AGI CASTER	DATE	2024.12.16	GSN NO.	S011-111111
PRODUCT NAME	CASTER	PRODUCT NAME	CAST-75-45T-HUD	SCALE	N/S	DWG. NO.	S011-111111
PART NAME	ASSEMBLY	PART NAME	ASSEMBLY	WEIGHT	---	RELISION	SIZE A3

FOOT MASTER G-DOK IND. FOOT MASTER G-DOK IND.