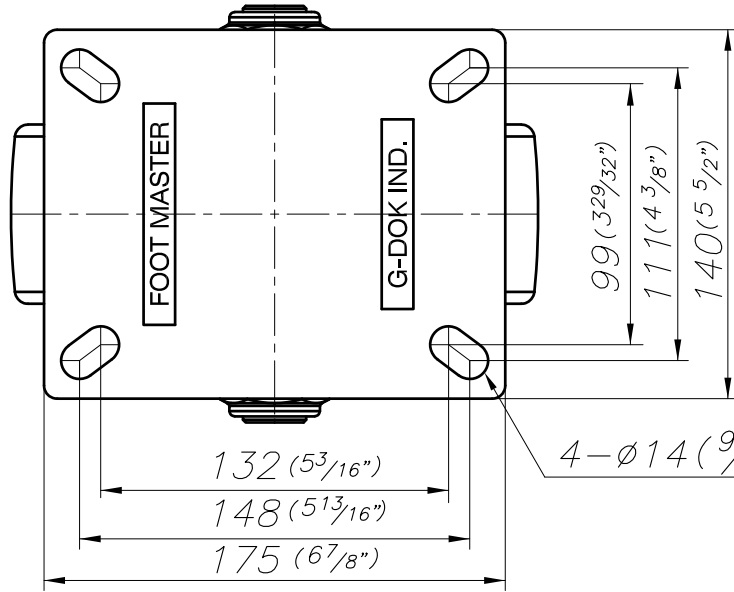


FOOT MASTER

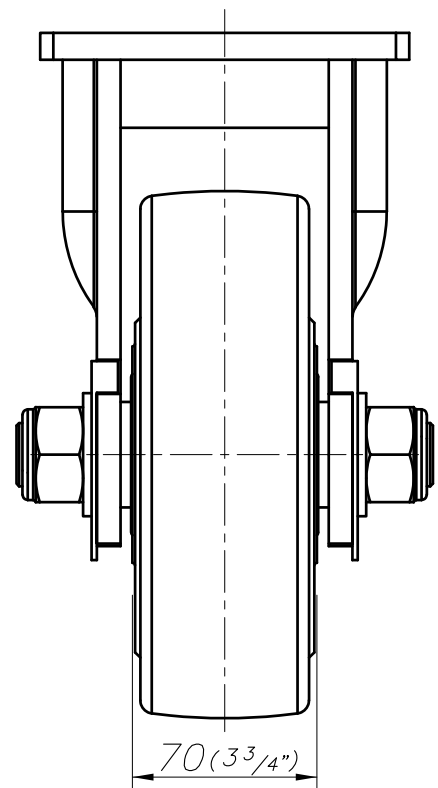
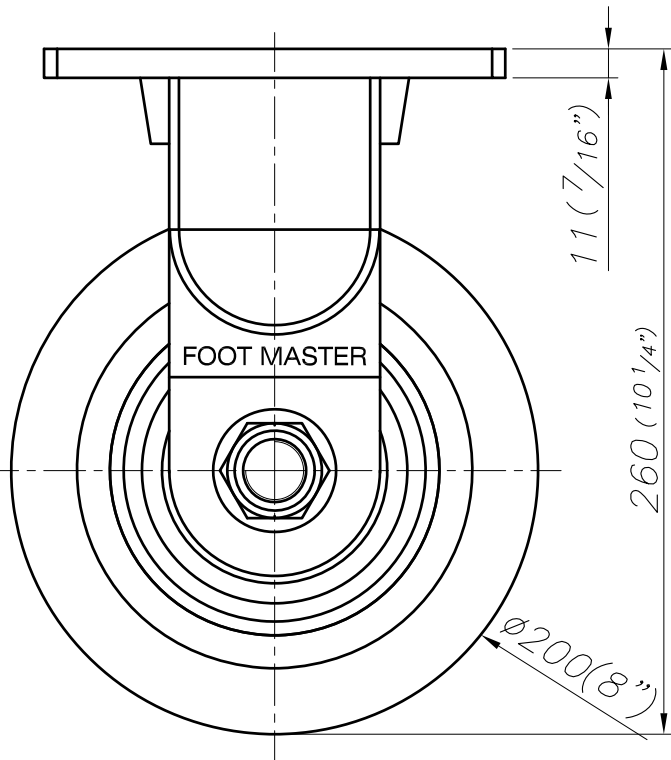
G-DOK IND.

FOOT MASTER

G-DOK IND.



4- \varnothing 14 ($\frac{9}{16}$ ") S/HOLES



FOOT MASTER [®]

FOOMA [®]

 G-DOK IND.

MODEL NAME

GXT-200-ARF-NYD

A

B

C

E

F

G

FOOT MASTER

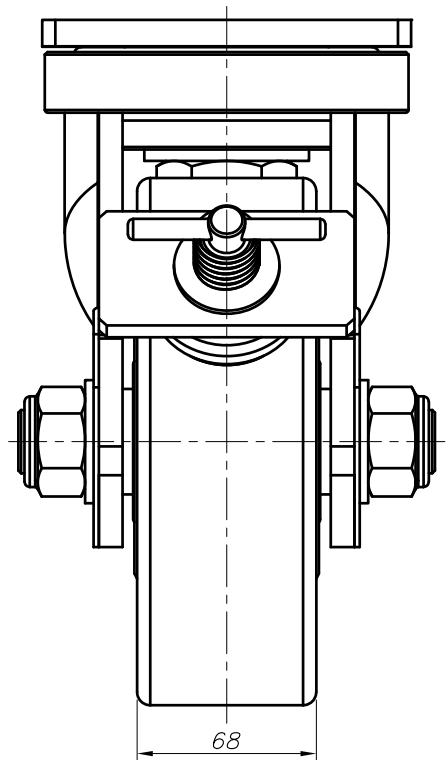
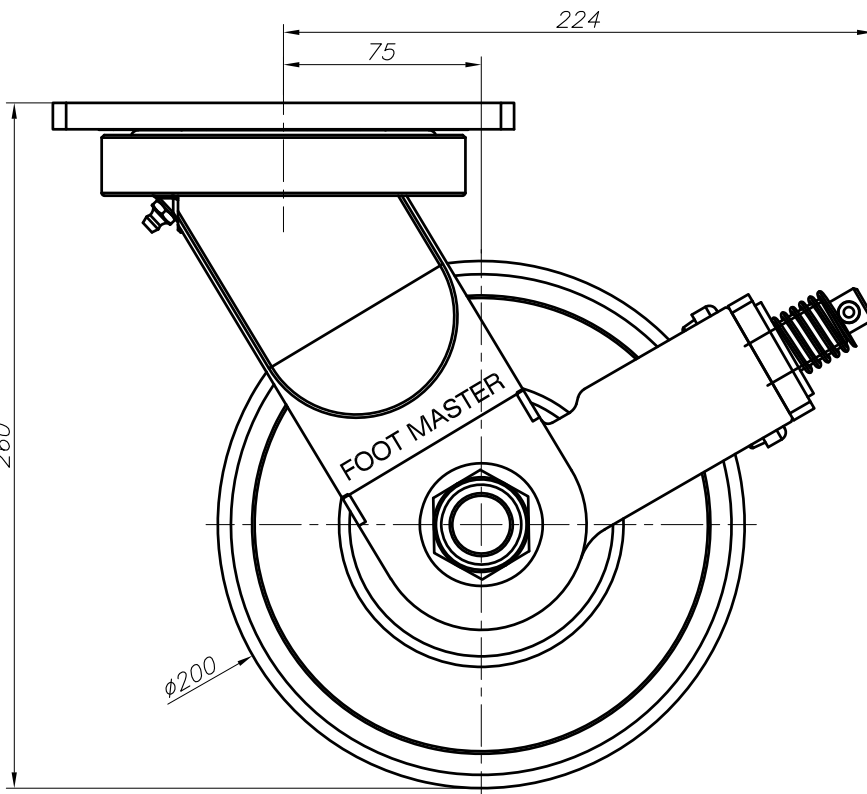
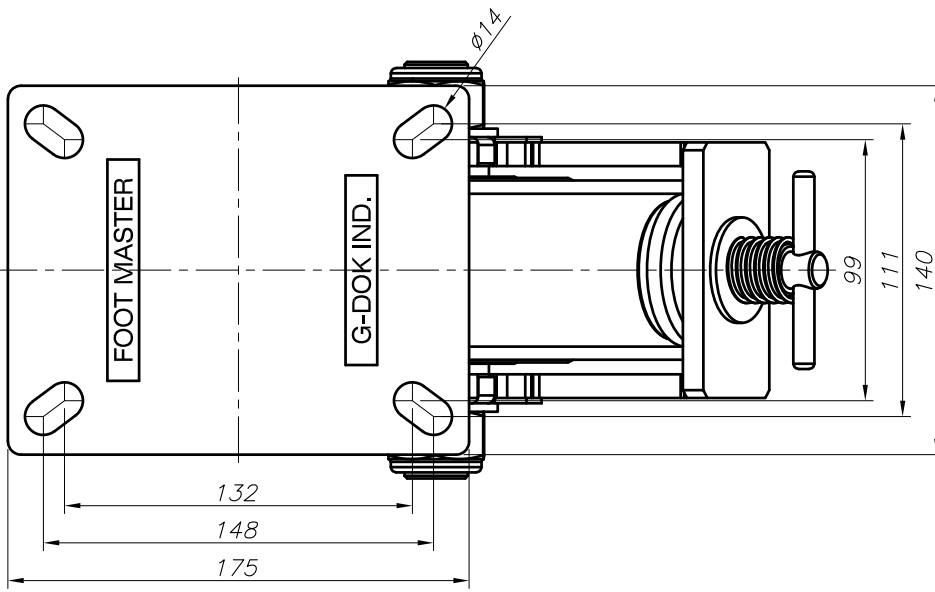
G-DOK IND.

FOOT MASTER

G-DOK IND.

1
2
3
4
5
6
7
8
9
0

1
2
3
4
5
6
7
8
9
0



FOOT MASTER[®]

FOOMA[®]

G-DOK IND.

MODEL NAME

GXT-200-BSF-NYD

A

B

C

E

F

G

FOOT MASTER

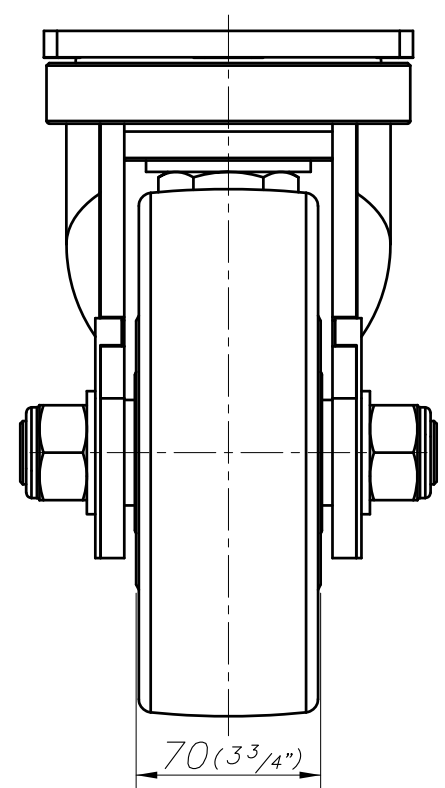
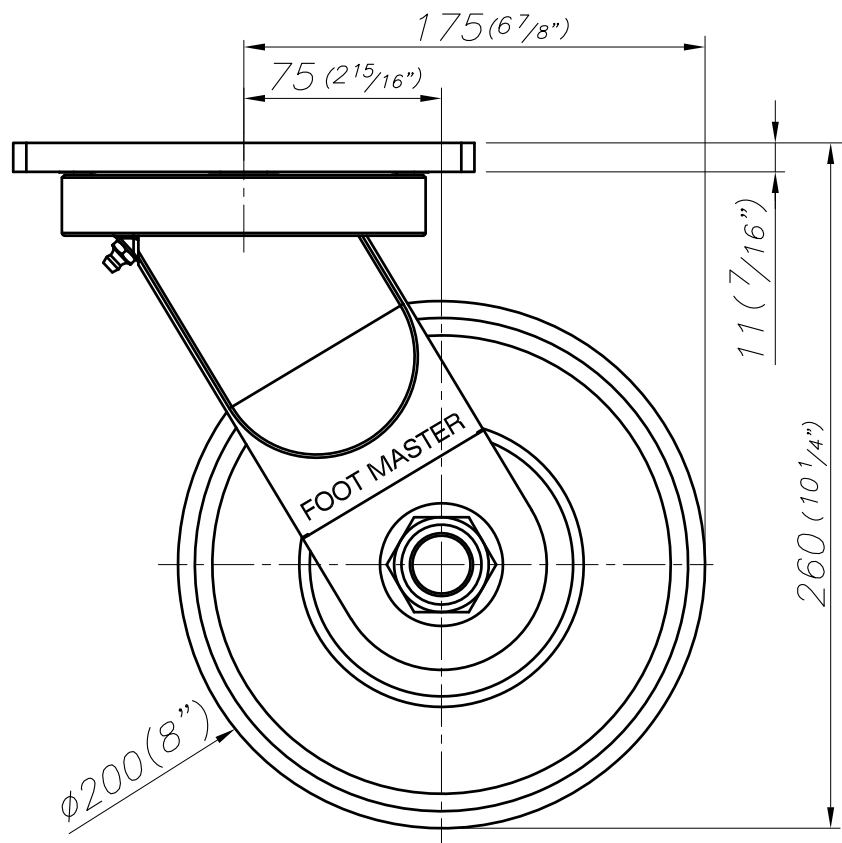
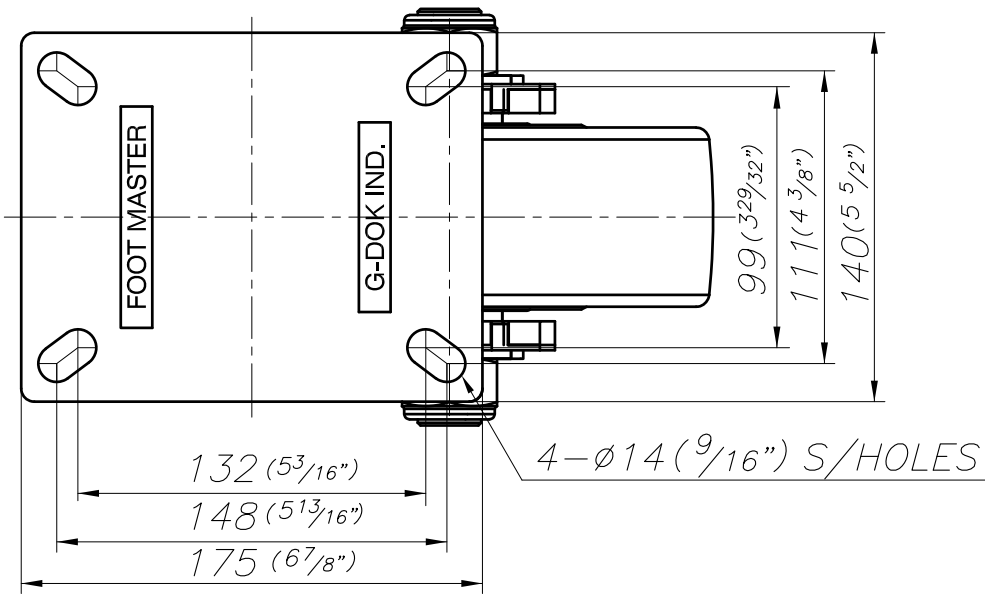
G-DOK IND.

FOOT MASTER

G-DOK IND.

1
2
3
4
5
6
7
8
9
0

1
2
3
4
5
6
7
8
9
0



FOOT MASTER[®]

FOOMA[®]

G-DOK IND.

MODEL NAME

GXT-200-ASF-NYD

A

B

C

E

F

G