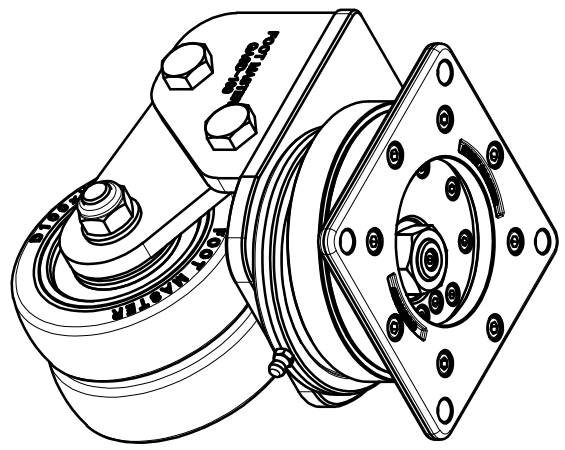
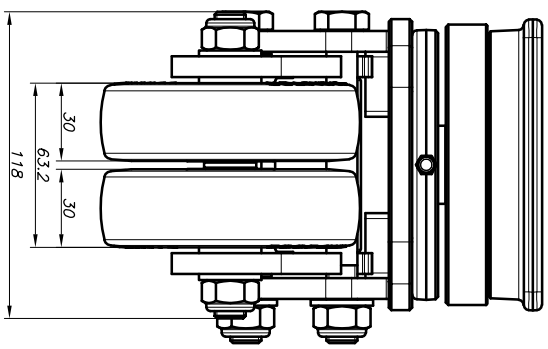
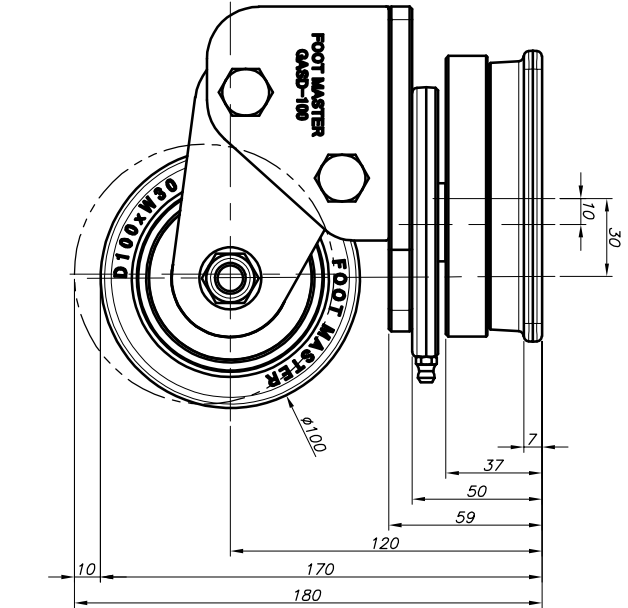
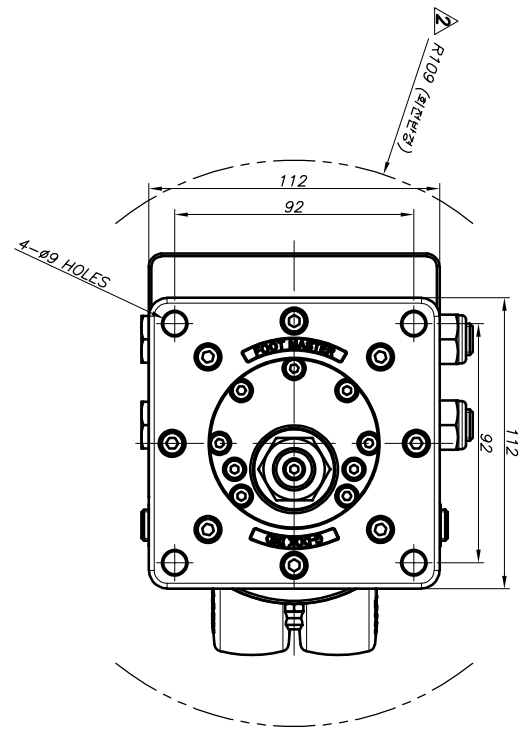


0



NOTE
주1) 허용무중 : 310KG/EA

REV. NO.	DATE	DESCRIPTION	APP'D.	REMARKS
1	2024.05.09	제품 개발서	O.C.K	-
2	2024.12.16	제품 개발서	O.C.K	-

PROCESS		APPROVED BY		CHECKED BY		DRAWN BY	
---		O.C.K		---		J.T.H	

GENERAL TOLERANCE		DIMENSIONAL TOLERANCE		SURFACE FINISH		ANGLE	
mm	mm	mm	mm	mm	mm	mm	mm
0.1-0.4	0.1	0.1	0.1	0.1	0.1	0.1	0.1
0.4-0.7	0.1	0.1	0.1	0.1	0.1	0.1	0.1
0.7-1.0	0.1	0.1	0.1	0.1	0.1	0.1	0.1
1.0-1.5	0.1	0.1	0.1	0.1	0.1	0.1	0.1
1.5-2.0	0.1	0.1	0.1	0.1	0.1	0.1	0.1
2.0-3.0	0.1	0.1	0.1	0.1	0.1	0.1	0.1
3.0-5.0	0.1	0.1	0.1	0.1	0.1	0.1	0.1
5.0-10.0	0.1	0.1	0.1	0.1	0.1	0.1	0.1

NO.	DESCRIPTION	UNIT	QTY	MATERIAL	WEIGHT	SPECIFICATION	REMARKS
FOOT MASTER® FOOMA® G-DOK IND.							
CUSTOMER		A9I CASTER		DATE		2024.12.16	
PRODUCT NAME		GMS-100-ASF-4U0		SCALE		1/3	
PART NAME		ASSEMBLY		WEIGHT		---	
				OPEN LENGTH		B	
				ANGLE		A3	

FOOT MASTER G-DOK IND. FOOT MASTER G-DOK IND.