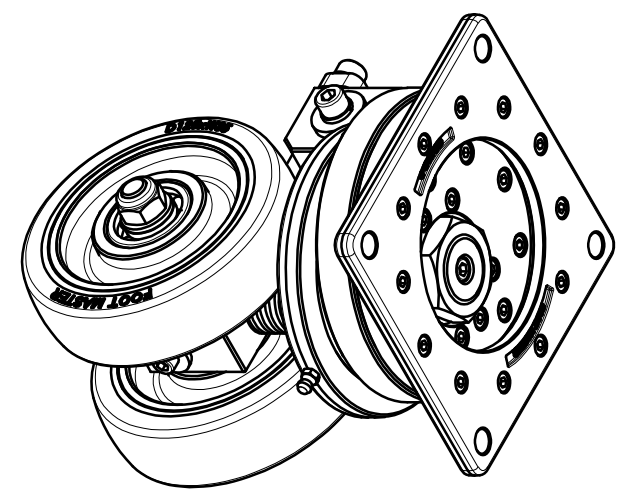
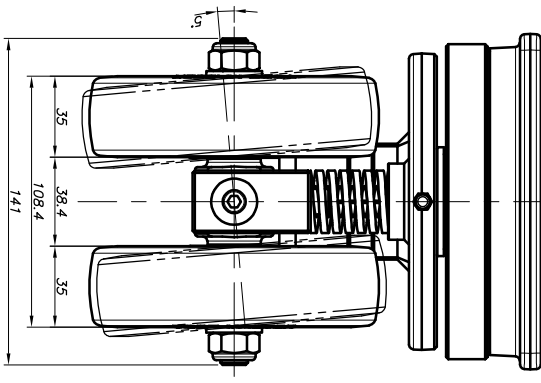
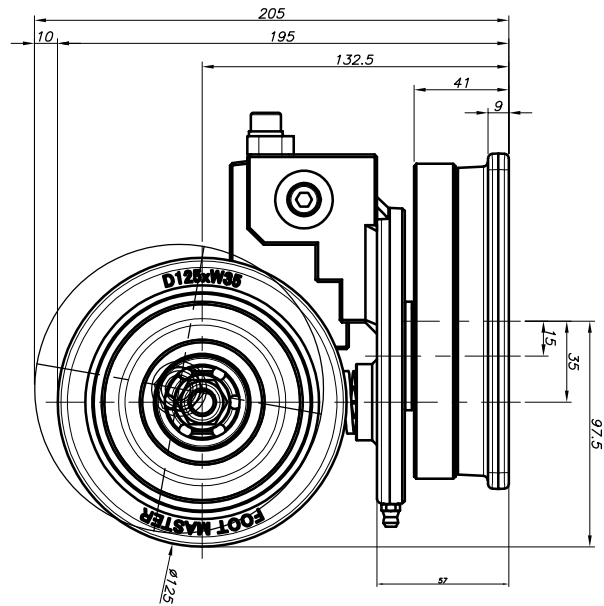
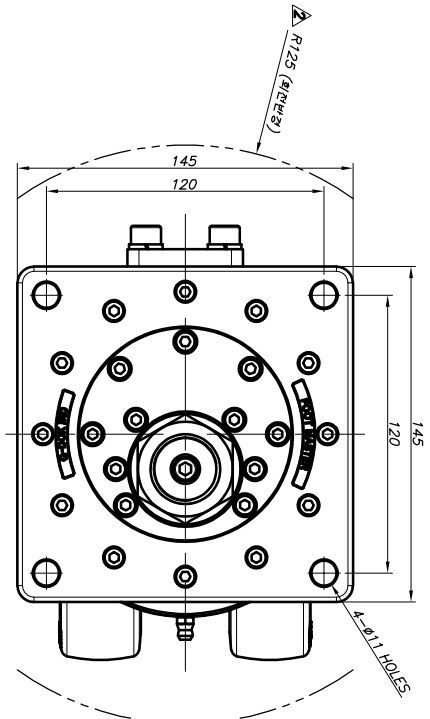


0



REV. NO.	DATE	DESCRIPTION	APP'D.	REMARKS
1	2024.05.09	제품 승인서	O.C.K	-
2	2024.12.16	제품서 명세서	O.C.K	-

NOTE  
주1) 허용하중 : 440KG/EA

PROCESS		APPROVED BY		CHECKED BY		DRAWN BY	
PROCESS	---	APPROVED BY	O.C.K	CHECKED BY	---	DRAWN BY	J.T.H

PRODUCT GENERAL TOLERANCE			
ISOTHERM	ISO 2768	ISO 2768	ISO 2768
FORMING	ISO 2768	ISO 2768	ISO 2768
WELDING	ISO 2768	ISO 2768	ISO 2768
FINISH	ISO 2768	ISO 2768	ISO 2768
ASSEMBLY	ISO 2768	ISO 2768	ISO 2768

GENERAL TOLERANCE		OTHER		MATERIAL		FINISH	
SIZE	3.2	OTHER	---	MATERIAL	---	FINISH	---

NO.	DESCRIPTION	UNIT	QTY	MATERIAL	WEIGHT	SPECIFICATION	REMARKS
1	FOOT MASTER®	FOOMA®				G-DOK IND.	
SERIES NAME		AG9-D9STER		DATE		2024.12.16	
PRODUCT NAME		CAM-125-AS4-4UD		SCALE		1/3	
PART NAME		ASSEMBLY		WEIGHT		---	
				OPEN TOLERANCE		B	
				ANGLE		---	

FOOT MASTER G-DOK IND. FOOT MASTER G-DOK IND.