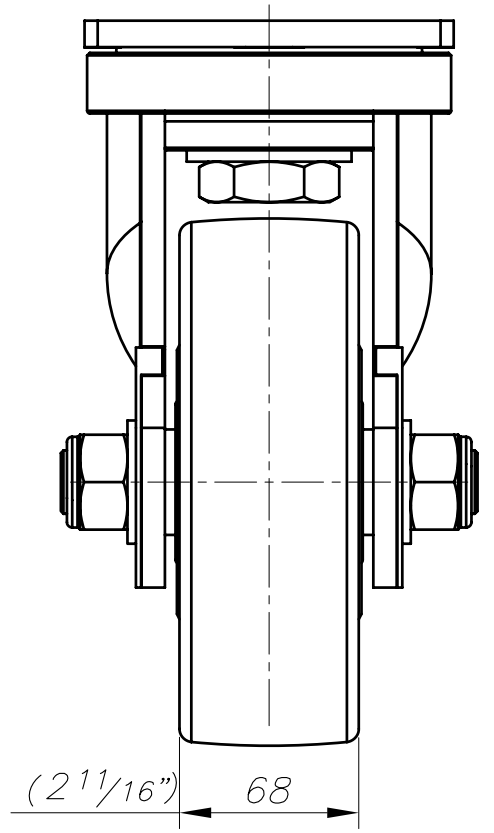
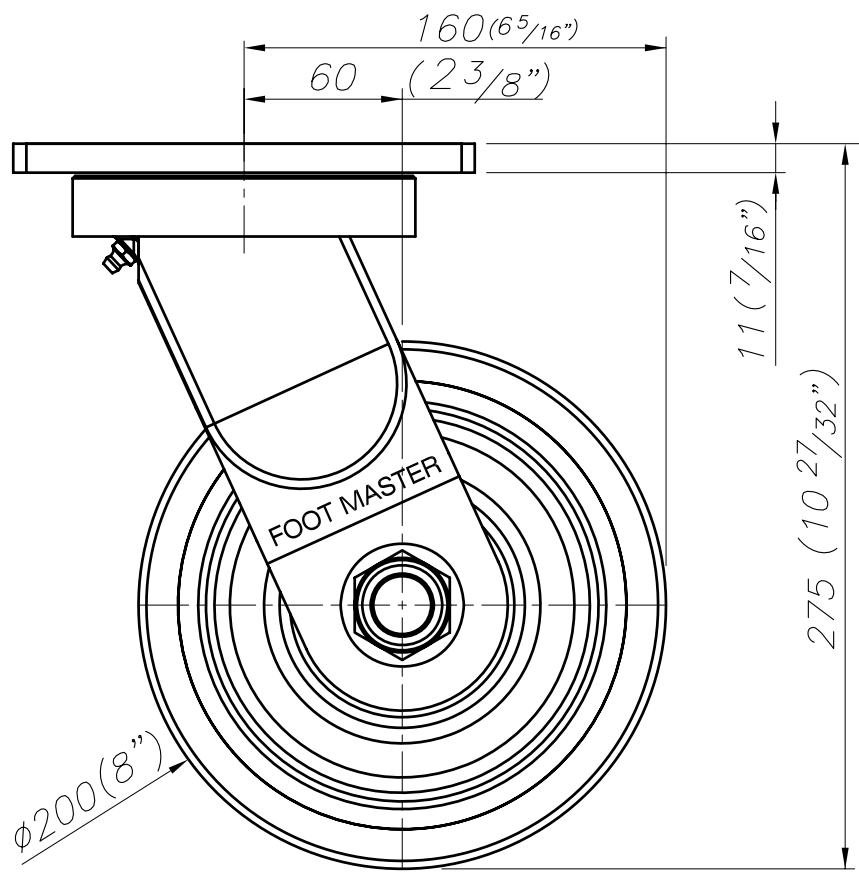
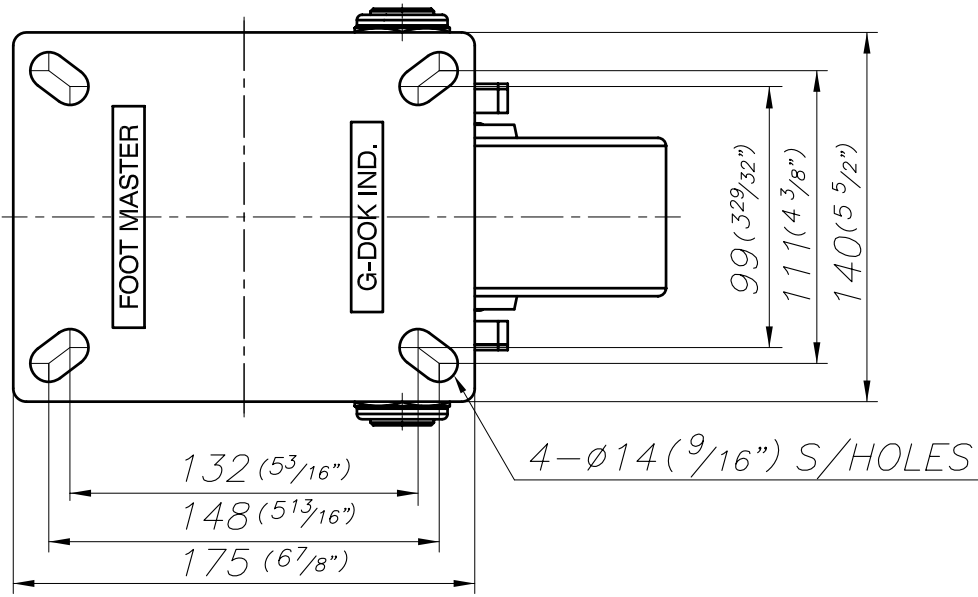


FOOT MASTER

G-DOK IND.

FOOT MASTER

G-DOK IND.



FOOT MASTER®

FOOMA®

G-DOK IND.

MODEL NAME

GXT-200-ASF-HUD

A

B

C

E

F

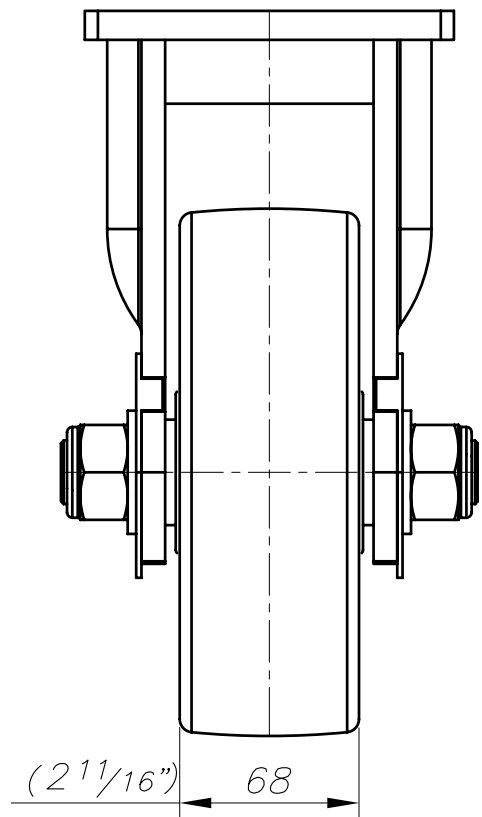
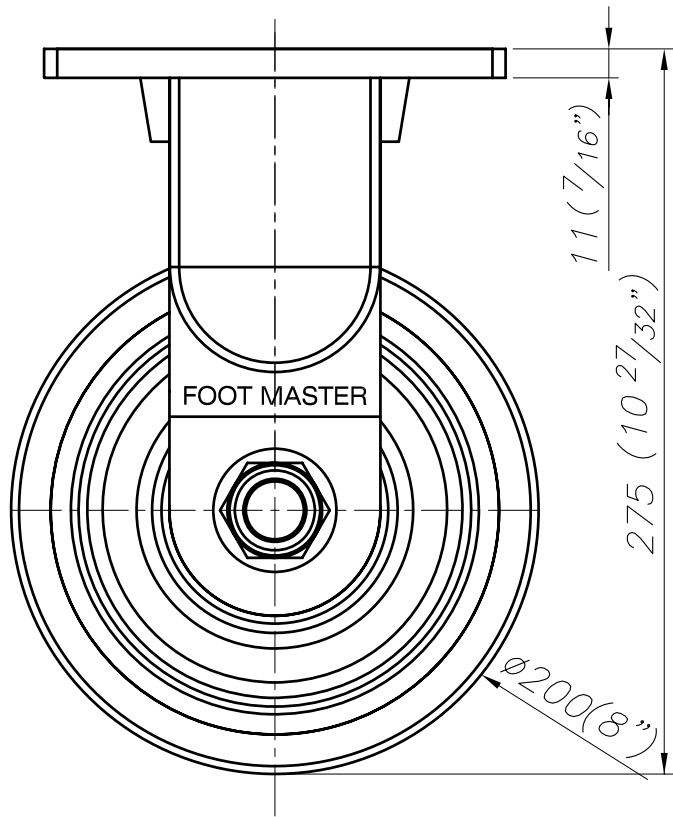
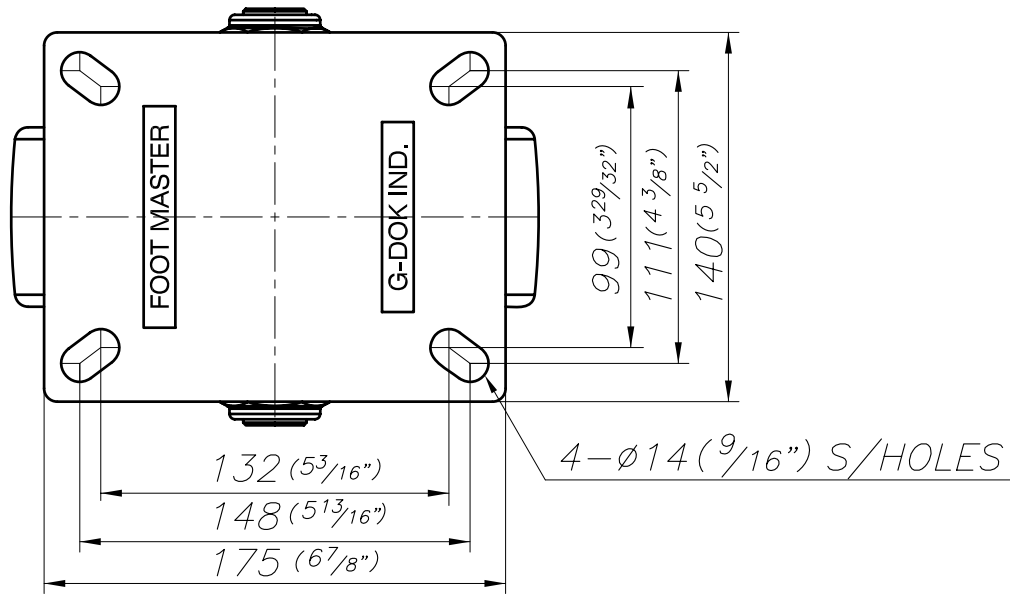
G

FOOT MASTER

G-DOK IND.

FOOT MASTER

G-DOK IND.



FOOT MASTER®

FOOMA®

G-DOK IND.

MODEL NAME

GXT-200-ARF-HUD

A

B

C

E

F

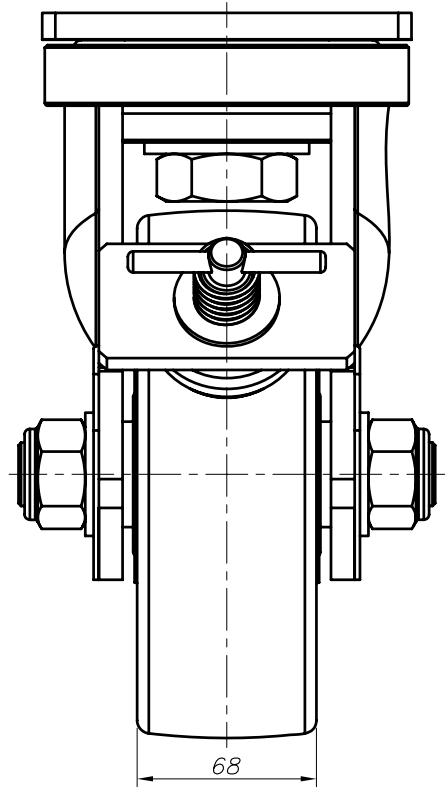
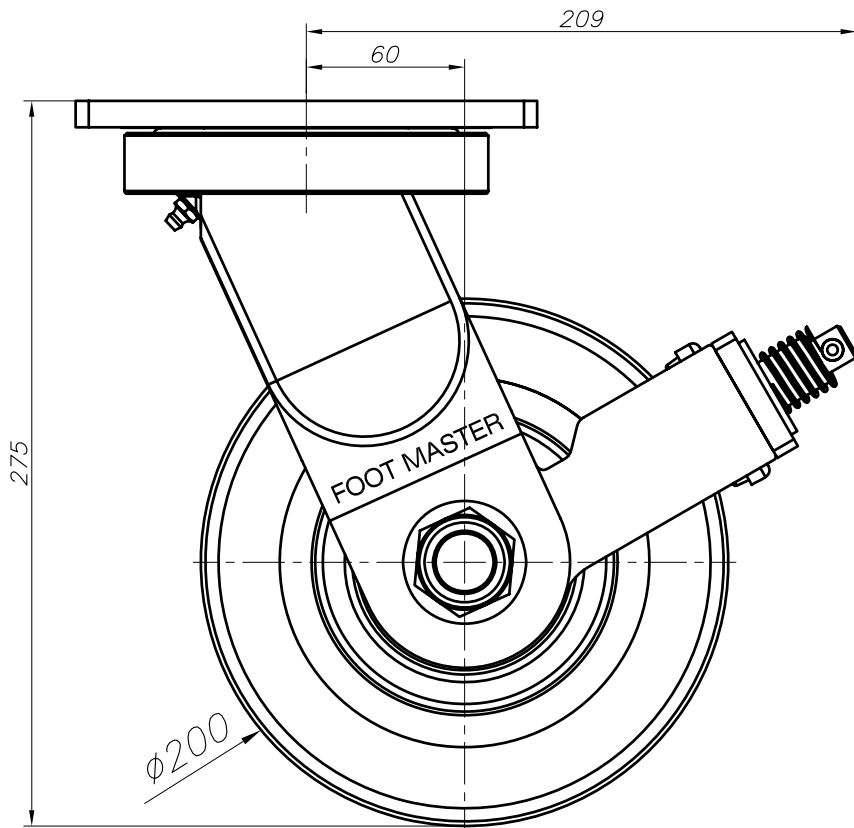
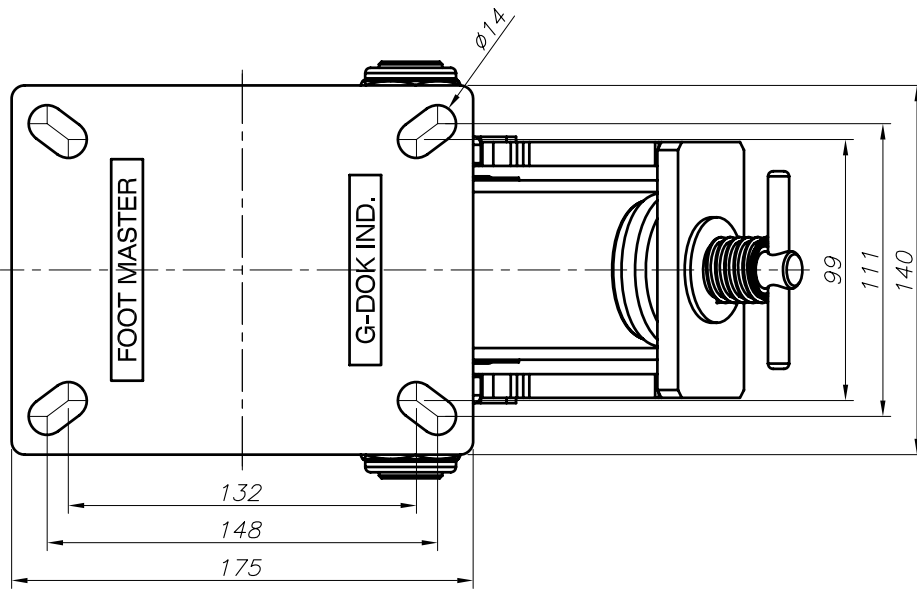
G

FOOT MASTER

G-DOK IND.

FOOT MASTER

G-DOK IND.



FOOT MASTER®

FOOMA®

G-DOK IND.

MODEL NAME

GXT-200-BSF-HUD

A

B

C

E

F

G