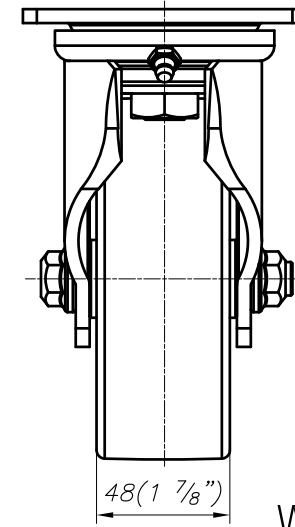
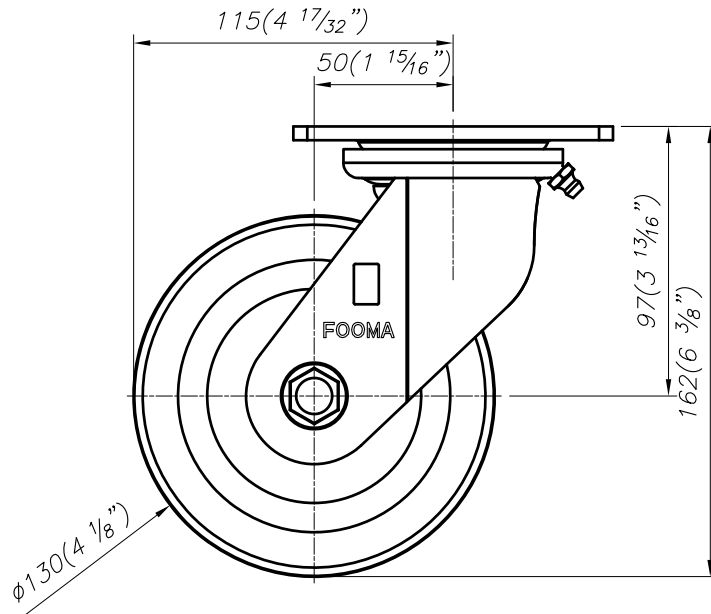


4- $\phi 11(7/16)$ SLOT HOLES
FOR M10 BOLT



FOOT MASTER[®]

FOOMA[®]

G-DOK IND.

MODEL NAME

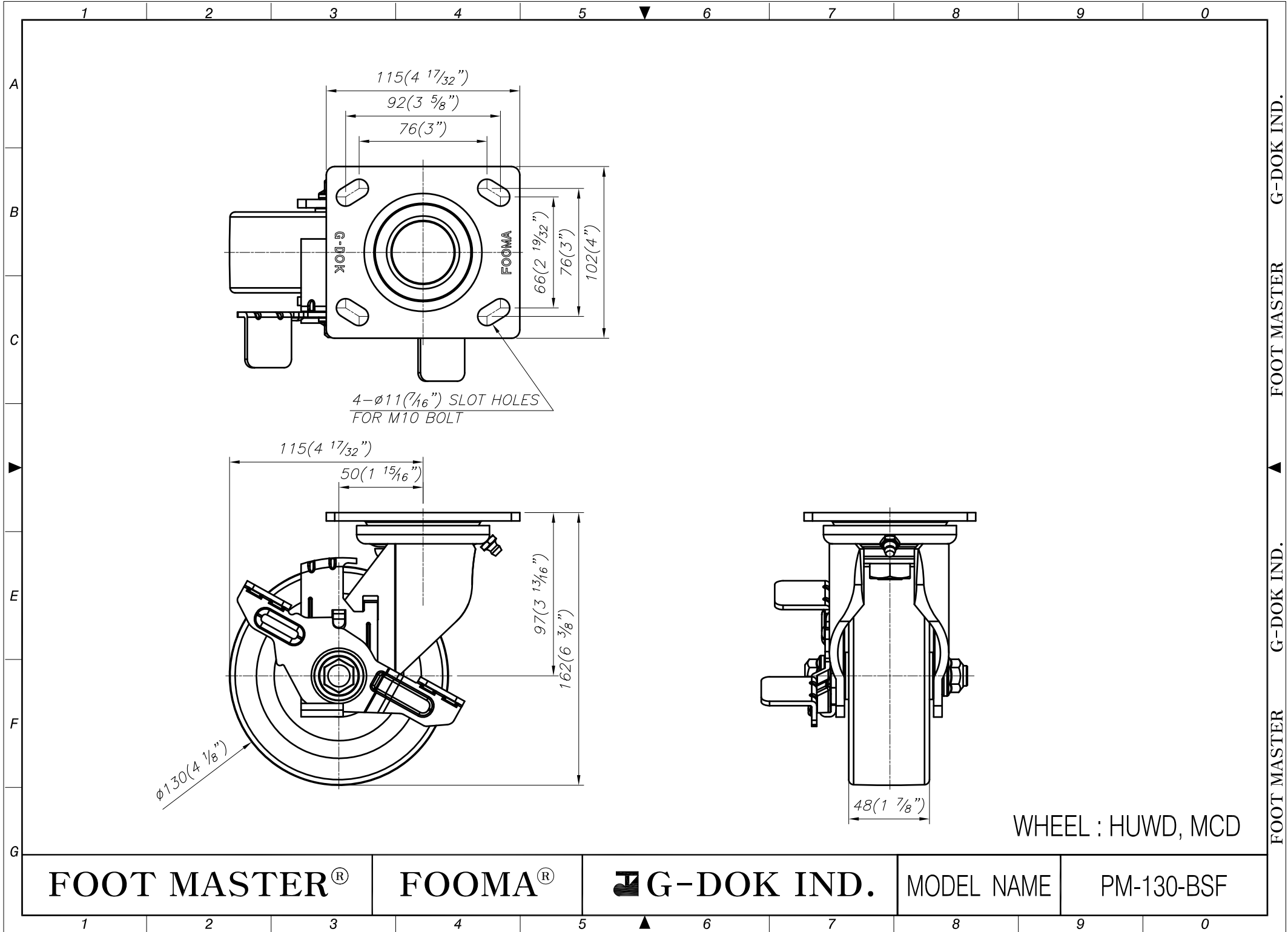
PM-130-ASF

G-DOK IND.

FOOT MASTER

G-DOK IND.

FOOT MASTER

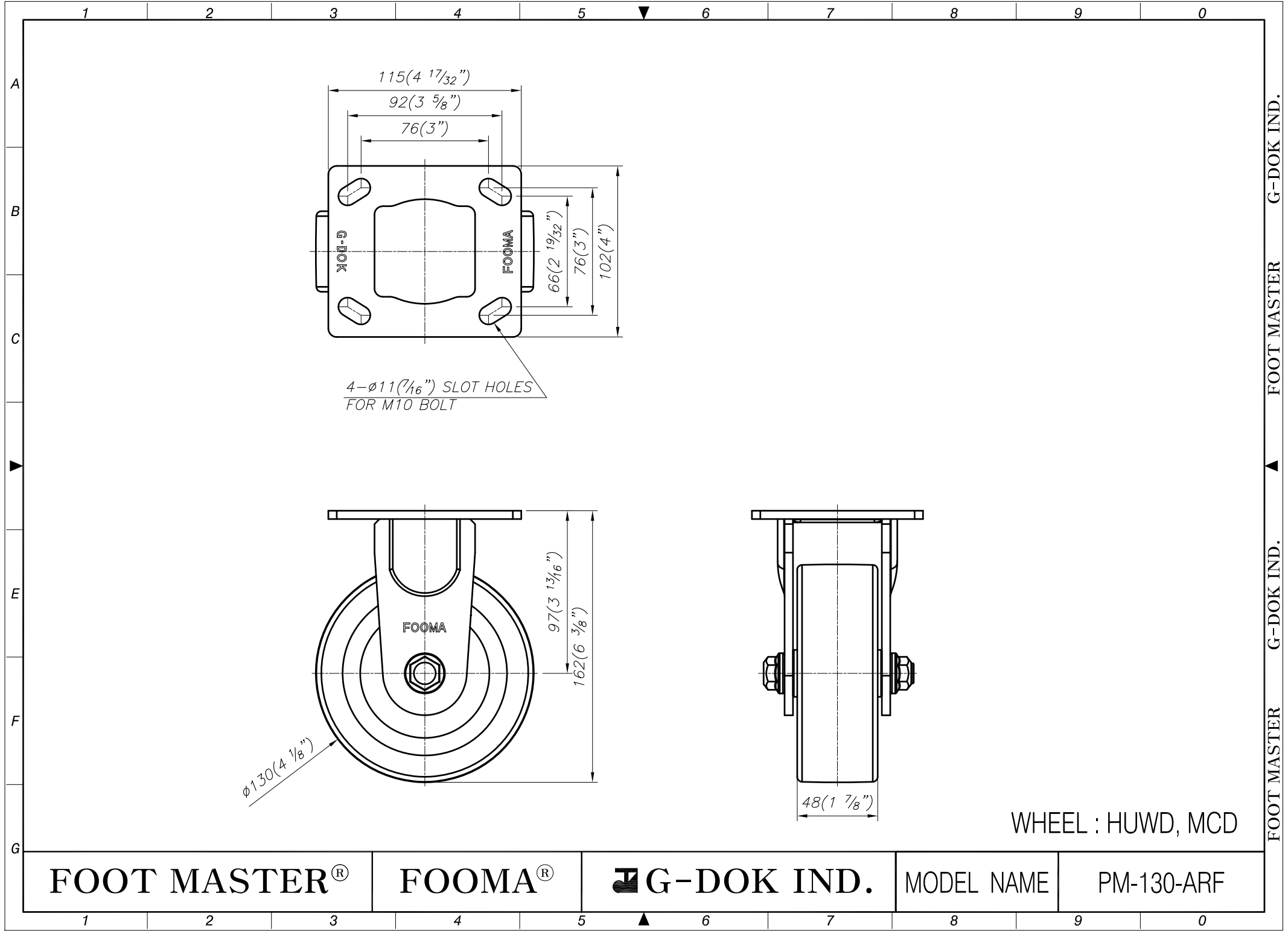


G-DOK IND.

FOOT MASTER

G-DOK IND.

FOOT MASTER



FOOT MASTER®

FOOMA®

G-DOK IND.

MODEL NAME

PM-130-ARF

WHEEL : HUWD, MCD

G-DOK IND.

FOOT MASTER

G-DOK IND.

FOOT MASTER