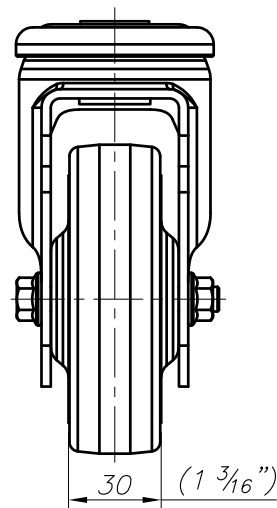
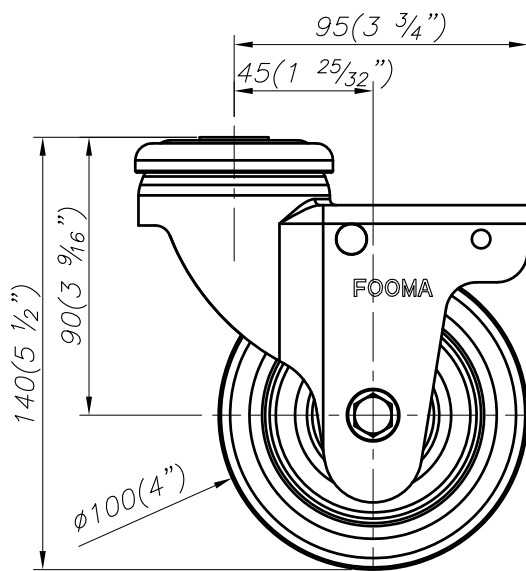


$\phi 12.5$ ($1\frac{5}{32}$ ") HOLES
FOR M12 BOLT



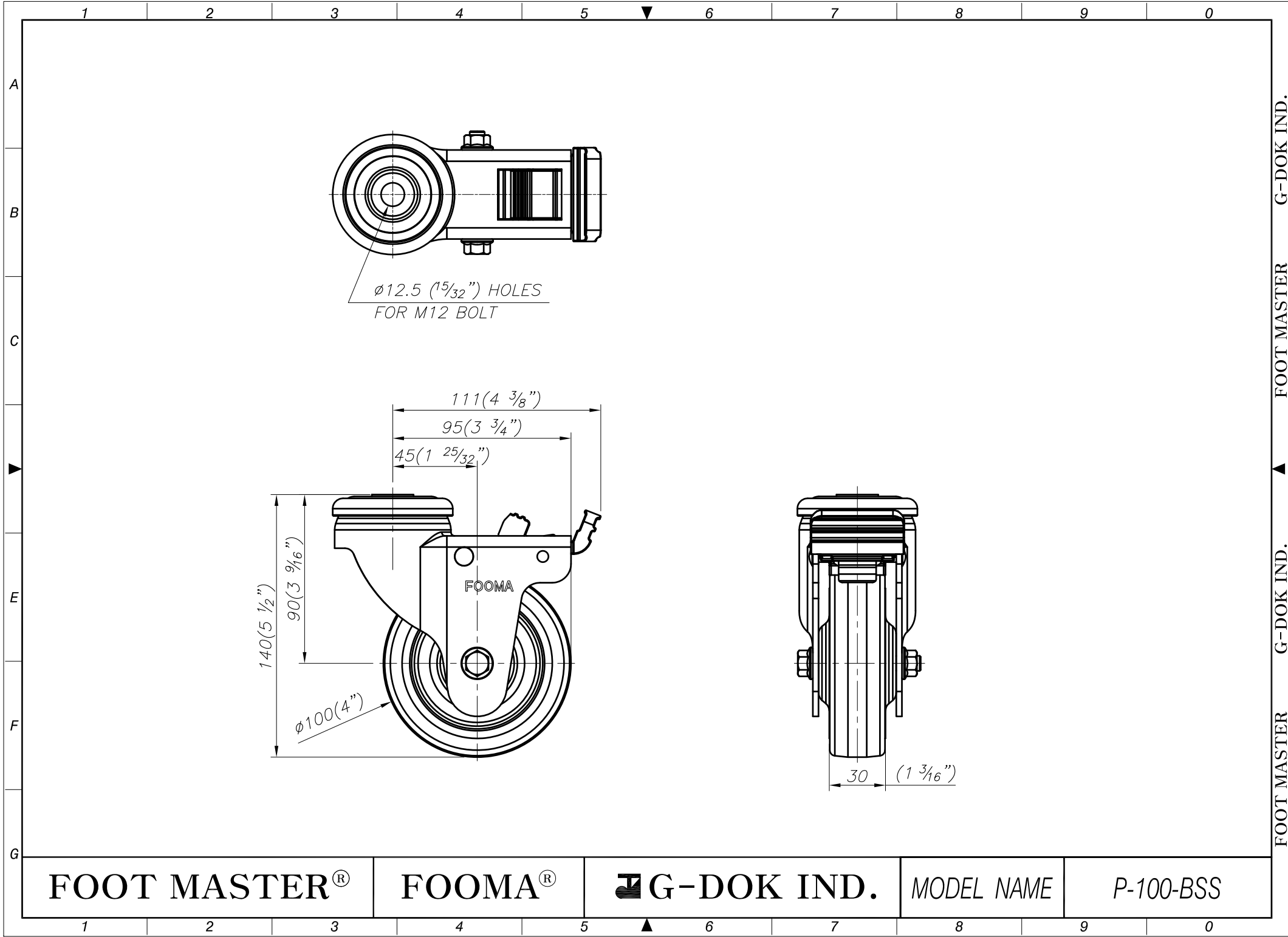
FOOT MASTER®

FOOMA®

 G-DOK IND.

MODEL NAME

P-100-ASS



FOOT MASTER®

FOOMA®

G-DOK IND.

MODEL NAME

P-100-BSS

FOOT MASTER G-DOK IND. ▲