

FOOT MASTER®

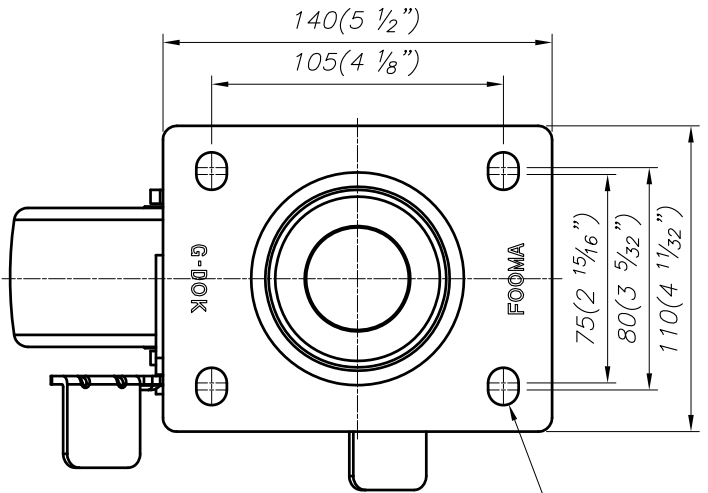
FOOMA®

G-DOK IND.

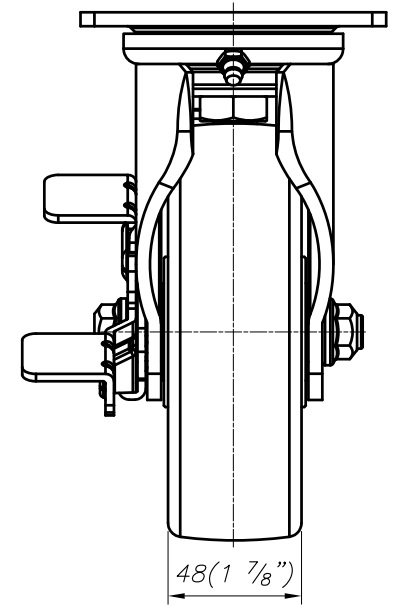
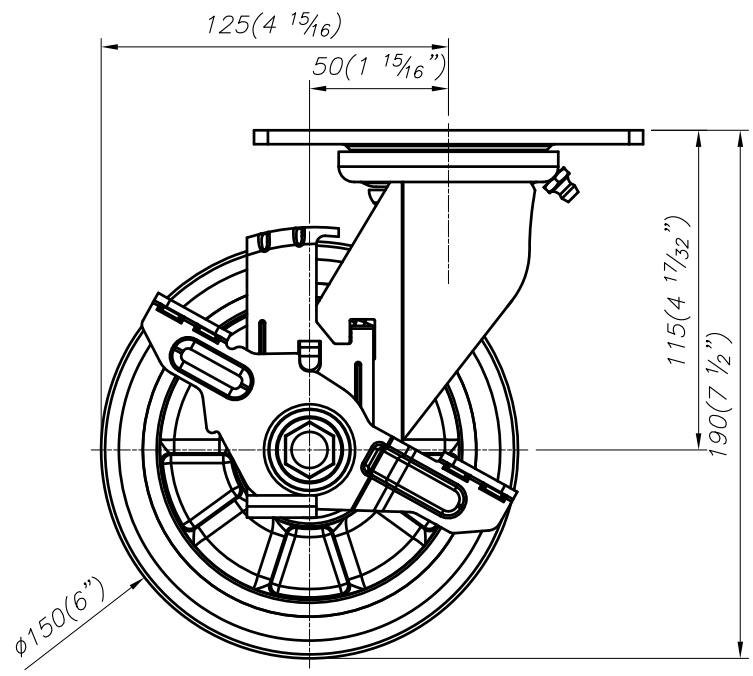
MODEL NAME

PMW-150-ASF

FOOT MASTER G-DOK IND. FOOT MASTER G-DOK IND. FOOT MASTER G-DOK IND.



4- $\phi 11(7/16)$ SLOT HOLES
FOR M10 BOLT



FOOT MASTER[®]

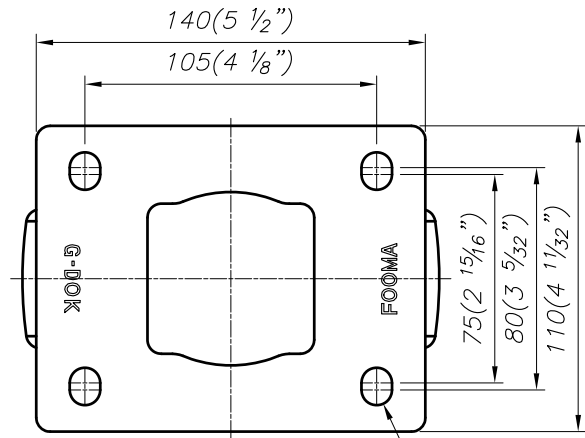
FOOMA[®]

 G-DOK IND.

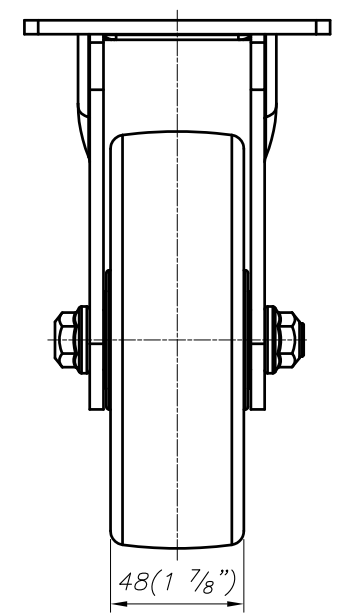
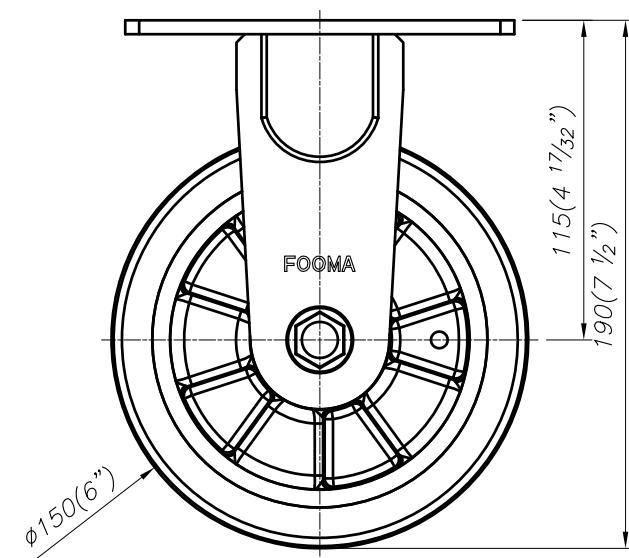
MODEL NAME

PMW-150-BSF

FOOT MASTER G-DOK IND. FOOT MASTER G-DOK IND.



4- $\phi 11(7/16)$ SLOT HOLES
FOR M10 BOLT



FOOT MASTER[®]

FOOMA[®]

 G-DOK IND.

MODEL NAME

PMW-150-ARF

FOOT MASTER G-DOK IND. FOOT MASTER G-DOK IND.