

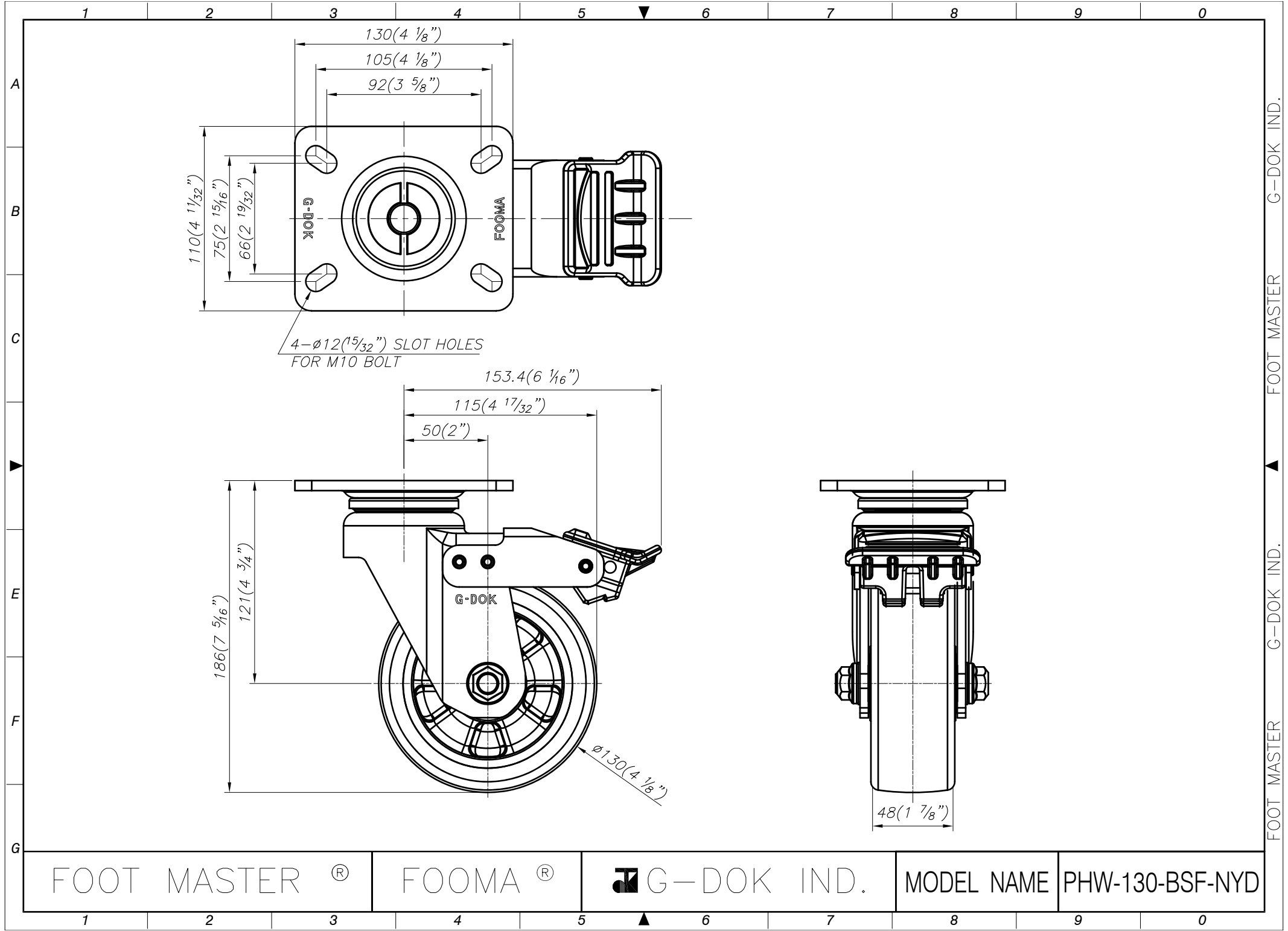
FOOT MASTER[®]

FOOMA[®]

 G-DOK IND.

MODEL NAME PHW-130-ASF-NYD

FOOT MASTER G-DOK IND. FOOT MASTER G-DOK IND.



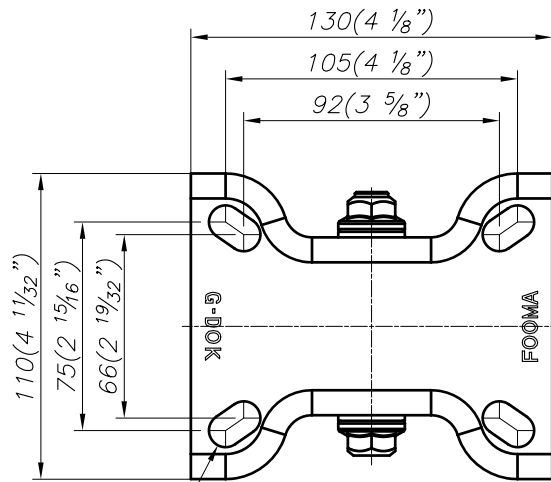
FOOT MASTER[®]

FOOMA[®]

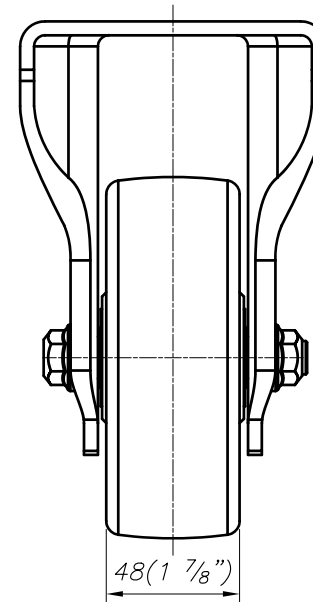
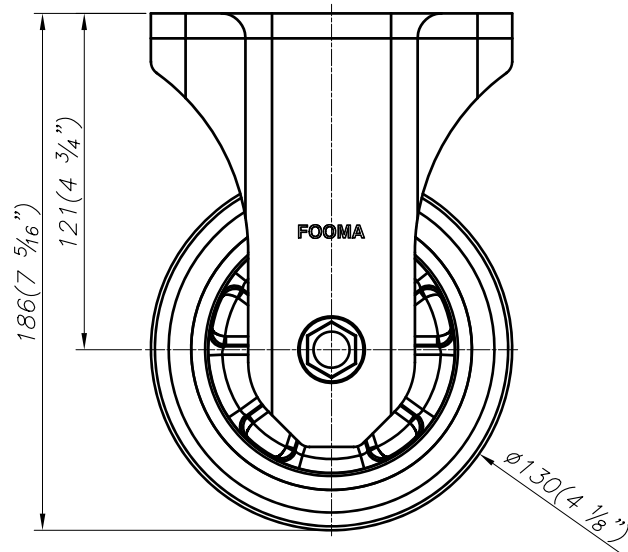
 G-DOK IND.

MODEL NAME PHW-130-BSF-NYD

FOOT MASTER G-DOK IND. G-DOK IND.



4- $\phi 12(1 \frac{5}{32}'')$ SLOT HOLES
FOR M10 BOLT



FOOT MASTER[®]

FOOMA[®]

 G-DOK IND.

MODEL NAME PHW-130-ARF-NYD

FOOT MASTER G-DOK IND. FOOT MASTER G-DOK IND.