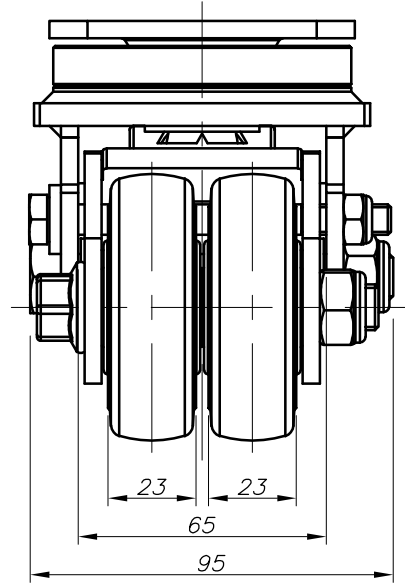
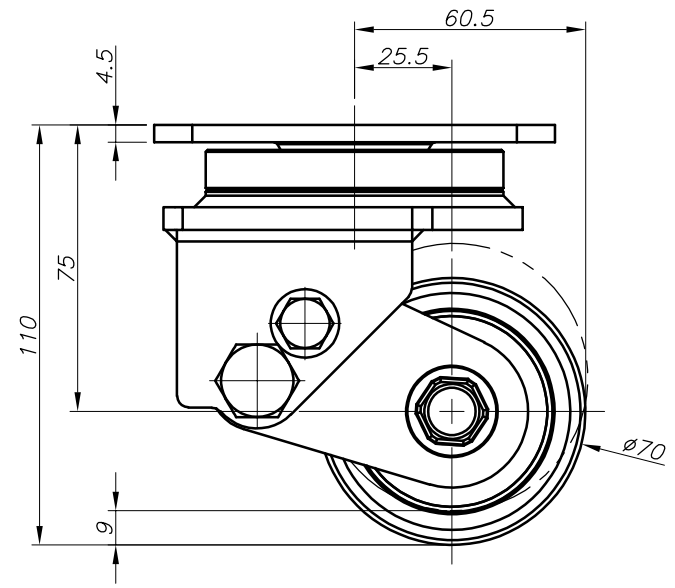
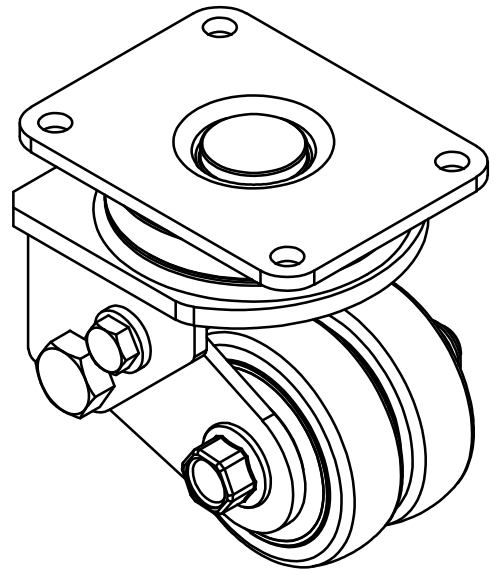
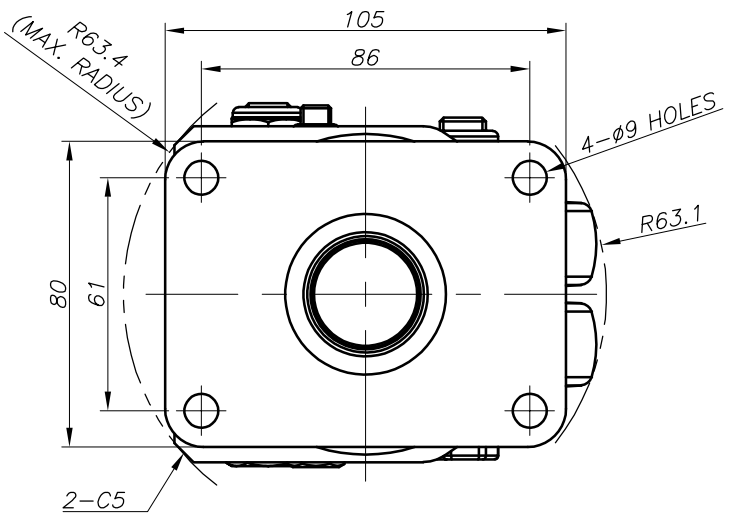


REV. NO.	DATE	DESCRIPTION	APP'D	REMARKS
1	-	-	-	-

0



- NOTE
- 1) LOAD CAPACITY : 200KG/EA
  - 2) SURFACE TREATMENT : SILVER POWDER COATED
  - 3) WHEELCORE : ALDC
  - 4) WHEELTREAD : TDI+NATURAL, HARDNESS 95A±3
  - 5) CUSION : RUBBER, HARDNESS 65A±3

PROCESS	MATERIAL	APPROVED BY	CHECKED BY	DRAWN BY
---	SM5MC	O.C.K	J.Y.H	J.T.H

GENERAL TOLERANCE															
MACHINING WORKING				DIE CASTING				ELECTRON WELDING				PRESS WORKING			
FINISH	PRESION	GENERAL	UNIT	FINISH	PRESION	GENERAL	UNIT	FINISH	PRESION	GENERAL	UNIT	FINISH	PRESION	GENERAL	UNIT
0.5 - 6	±0.05	±0.1	mm	1-10	±0.1	±0.2	mm	1-10	±0.1	±0.2	mm	1-10	±0.1	±0.2	mm
6 - 30	±0.1	±0.2	mm	10-30	±0.15	±0.3	mm	10-30	±0.15	±0.3	mm	10-30	±0.15	±0.3	mm
30 - 120	±0.15	±0.3	mm	120 - 400	±0.2	±0.5	mm	400 - 1000	±0.3	±0.8	mm	120 - 400	±0.2	±0.5	mm
120 - 400	±0.2	±0.5	mm	400 - 1000	±0.3	±0.8	mm								

FOOT MASTER®		FOOMA®		G-DOK IND.	
CUSTOMER	AGV CASTER	DATE	2023.11.20	GSN NO.	59711-111111
PRODUCT NAME	GASD-70-ASF-HUD	SCALE	N/S	DWG. NO.	59711-111111
PART NAME	ASSEMBLY	WEIGHT	---	REVISION	SIZE A3
		GENERAL TOLERANCE	B	ANGLE	

FOOT MASTER G-DOK IND.