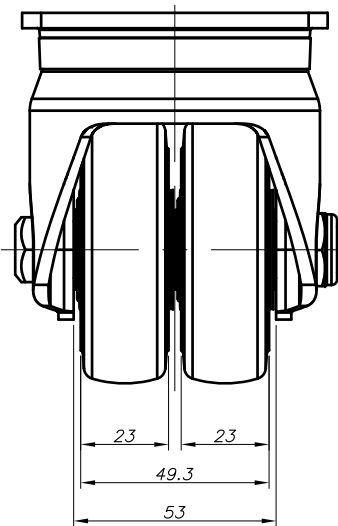
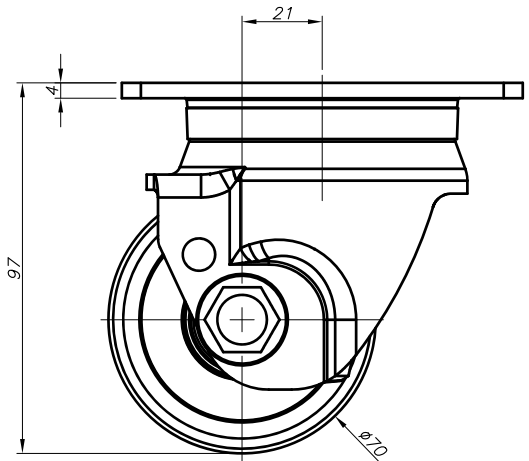
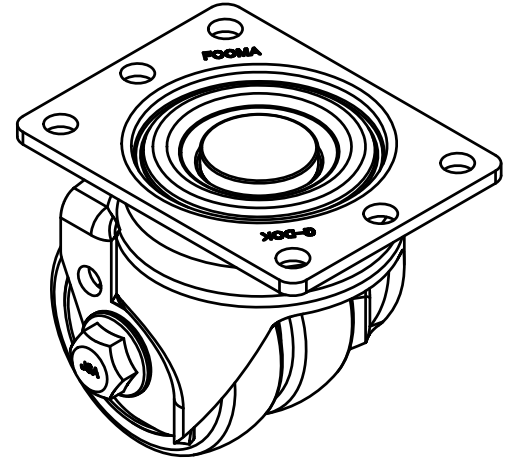
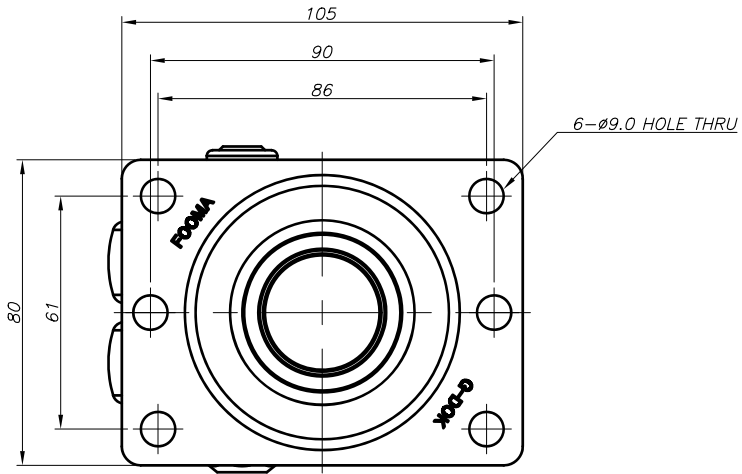


REV. NO.	DATE	DESCRIPTION	APP'D	REMARKS
▲	-	-	-	-



NOTE
 ※1) --

PROCESS			GENERAL TOLERANCE															
MATERIAL			MACHINING WORKING				DIE CASTING				INJECTION MOLDING				PRESS WORKING			
APPROVED BY	CHECKED BY	DRAWN BY	FINISH	PRECISION	GENERAL	FINISH	PRECISION	GENERAL	FINISH	PRECISION	GENERAL	FINISH	PRECISION	GENERAL	FINISH	PRECISION	GENERAL	
O.C.K	J.Y.H	J.Y.S	0.5-6	±0.05	±0.1	1-3	±0.05	±0.1	1-3	±0.05	±0.1	1-3	±0.05	±0.1	1-3	±0.05	±0.1	
			6-30	±0.1	±0.2	3-5	±0.1	±0.2	3-5	±0.1	±0.2	3-5	±0.1	±0.2	3-5	±0.1	±0.2	
			30-120	±0.15	±0.3	3-5	±0.1	±0.2	3-5	±0.1	±0.2	3-5	±0.1	±0.2	3-5	±0.1	±0.2	
			120-400	±0.2	±0.5	3-5	±0.1	±0.2	3-5	±0.1	±0.2	3-5	±0.1	±0.2	3-5	±0.1	±0.2	
			400-1000	±0.3	±0.8	3-5	±0.1	±0.2	3-5	±0.1	±0.2	3-5	±0.1	±0.2	3-5	±0.1	±0.2	

FOOT MASTER®			FOOMA®			G-DOK IND.		
SERIES NAME	AGV-SERIES	DATE	2023.07.28	GSN NO.	-			
PRODUCT NAME	GAJSD-70-ASF-HUD	SCALE	N/S	DWG. NO.	-			
PART NAME	ASSEMBLY	WEIGHT	--	REVISION				
		GENERAL TOLERANCE	B	ANGLE	▲			

FOOT MASTER G-DOK IND.