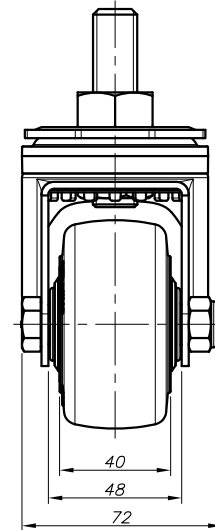
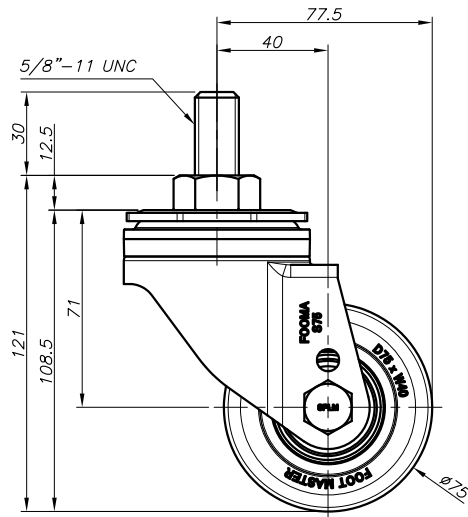
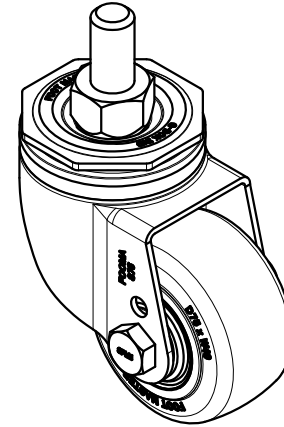
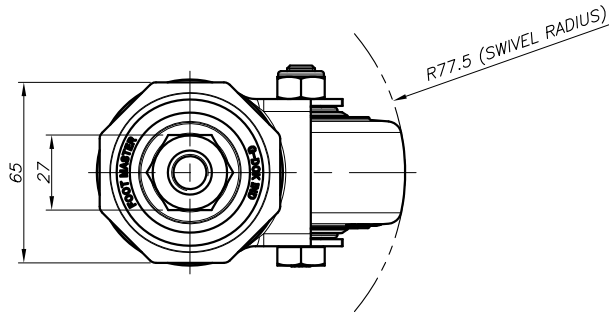


REV. NO.	DATE	DESCRIPTION	APP'D	REMARKS
1	-	-	-	-

0 STEM BOLT : 5/8"-11 UNC



NOTE
 1) MATERIAL : STAINLESS

PROCESS		MATERIAL		GENERAL TOLERANCE															
---		---		CHAMFER 0.5 RZLND 0.5 UNIT mm															
				MACHINING WORKING				DIE CASTING				INJECTION MOLDING				PRESS WORKING			
				FINISH	PRECISION	GRADE	FINISH	PRECISION	GRADE	FINISH	PRECISION	GRADE	FINISH	PRECISION	GRADE	FINISH	PRECISION	GRADE	
				0.5 - 6	±0.05	±0.1	A-3	±0.1	±0.1	A-3	±0.1	±0.1	A-3	±0.1	±0.1	A-3	±0.1	±0.1	A-3
				6 - 30	±0.1	±0.2	B-3	±0.1	±0.2	B-3	±0.1	±0.2	B-3	±0.1	±0.2	B-3	±0.1	±0.2	B-3
				30 - 120	±0.15	±0.3	C-3	±0.15	±0.3	C-3	±0.15	±0.3	C-3	±0.15	±0.3	C-3	±0.15	±0.3	C-3
				120 - 400	±0.2	±0.5	D-3	±0.2	±0.5	D-3	±0.2	±0.5	D-3	±0.2	±0.5	D-3	±0.2	±0.5	D-3
				400 - 1000	±0.3	±0.8	E-3	±0.3	±0.8	E-3	±0.3	±0.8	E-3	±0.3	±0.8	E-3	±0.3	±0.8	E-3

APPROVED BY	CHECKED BY	DRAWN BY
O.C.K	J.Y.H	K.S.J

PRODUCT GENERAL TOLERANCE			
CUSTOMER HEIGHT	WHEEL OUTER DIAMETER	WHEEL HUB WIDTH	
±0.1	±0.1	±0.1	
±0.15	±0.15	±0.15	
±0.2	±0.2	±0.2	
±0.3	±0.3	±0.3	

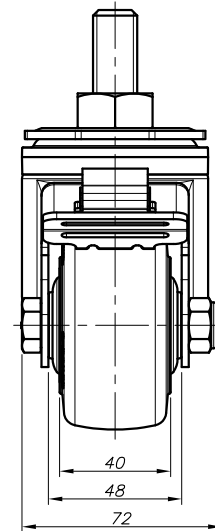
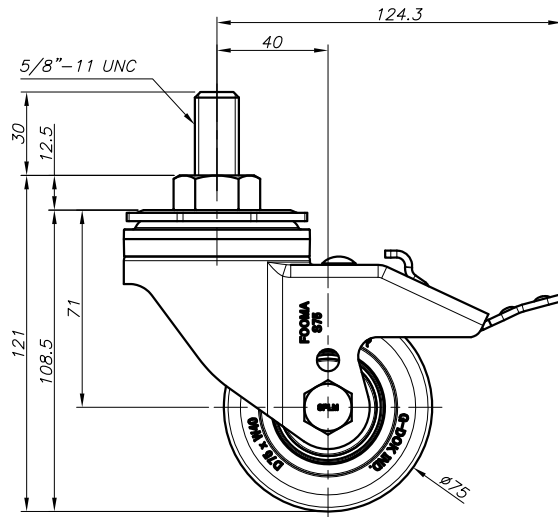
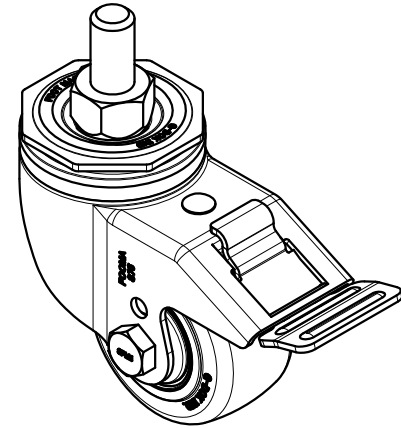
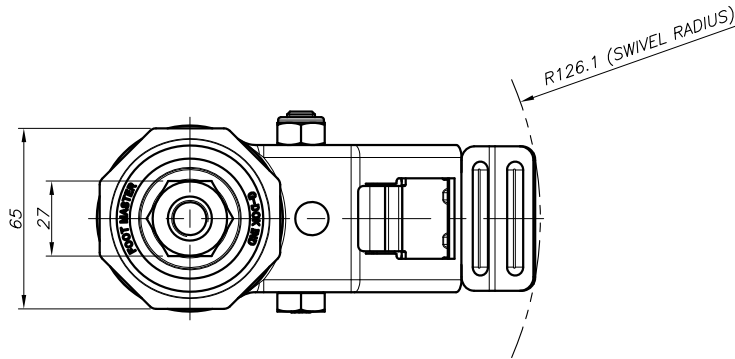
NO.	DESCRIPTION	UNIT	Q'TY	MATERIAL	WEIGHT	SPECIFICATION	REMARKS
---	---	---	---	---	---	---	---

FOOT MASTER®		FOOMA®		G-DOK IND.	
SERIES NAME	SPLM-SERIES	DATE	2025.02.19	GSN NO.	39141-111111
PRODUCT NAME	SPLM-75-ASS-HRD	SCALE	1/2	DWG. NO.	39141-111111
PART NAME	ASSEMBLY	WEIGHT	---	REVISION	
GENERAL TOLERANCE		B	ANGLE		⊕

FOOT MASTER G-DOK IND.

REV. NO.	DATE	DESCRIPTION	APP'D	REMARKS
1	-	-	-	-

0 STEM BOLT : 5/8"-11 UNC



NOTE
 1) MATERIAL : STAINLESS

PROCESS	GENERAL TOLERANCE											
MATERIAL	MACHINING WORKING			DIE CASTINGS			INJECTION MOLDING			PRESS WORKING		
	ANGLE	PRESION	CHAMFER	0.5	ROUND	0.5	UNT	mm				
	0.5-6	±0.05	±0.1	0.3	0.1	0.3	0.1	0.1	0.1	0.1	0.1	0.1
	6-30	±0.1	±0.2	0.4	0.1	0.4	0.1	0.1	0.1	0.1	0.1	0.1
	30-120	±0.15	±0.3	0.5	0.1	0.5	0.1	0.1	0.1	0.1	0.1	0.1
	120-400	±0.2	±0.5	0.6	0.1	0.6	0.1	0.1	0.1	0.1	0.1	0.1
	400-1000	±0.3	±0.8	0.8	0.1	0.8	0.1	0.1	0.1	0.1	0.1	0.1

APPROVED BY	CHECKED BY	DRAWN BY
O.C.K	J.Y.H	K.S.J

PRODUCT GENERAL TOLERANCE		
CUSTOMER HEIGHT	WHEEL OUTER DIAMETER	WHEEL HUB WIDTH
6-30	±0.1	±0.2
30-120	±0.15	±0.3
120-400	±0.2	±0.5
400-1000	±0.3	±0.8

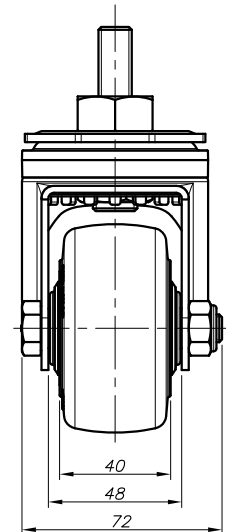
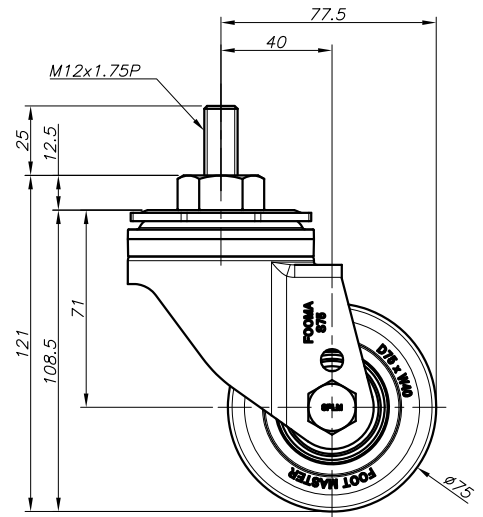
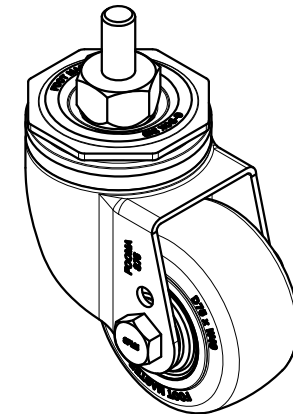
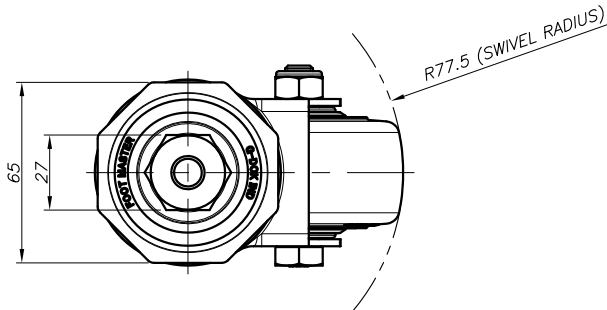
NO.	DESCRIPTION	UNIT	Q'TY	MATERIAL	WEIGHT	SPECIFICATION	REMARKS
---	---	---	---	---	---	---	---

FOOT MASTER®		FOOMA®		G-DOK IND.	
SERIES NAME	SPLM-SERIES	DATE	2025.02.19	GSN NO.	39151-111111
PRODUCT NAME	SPLM-75-BSS-HRD	SCALE	1/2	DWG. NO.	39151-111111
PART NAME	ASSEMBLY	WEIGHT	---	REVISION	SIZE A3
		GENERAL TOLERANCE	B	ANGLE	⊙

FOOT MASTER G-DOK IND.

REV. NO.	DATE	DESCRIPTION	APP'D	REMARKS
1	-	-	-	-

0 STEM BOLT : M12x1.75P



NOTE
 1) MATERIAL : STAINLESS

PROCESS	GENERAL TOLERANCE															
MATERIAL	MACHINING WORKING				DIE CASTING				INJECTION MOLDING				PRESS WORKING			
	ANGZ	PRECISION	GRADE	UNIT	ANGZ	PRECISION	GRADE	UNIT	ANGZ	PRECISION	GRADE	UNIT	ANGZ	PRECISION	GRADE	UNIT
	0.5 - 6	±0.05	±0.1	μm	0.5 - 6	±0.1	±0.2	mm	0.5 - 6	±0.1	±0.2	mm	0.5 - 6	±0.1	±0.2	mm
	6 - 30	±0.1	±0.2	mm	6 - 30	±0.1	±0.2	mm	6 - 30	±0.1	±0.2	mm	6 - 30	±0.1	±0.2	mm
	30 - 120	±0.15	±0.3	mm	30 - 120	±0.15	±0.3	mm	30 - 120	±0.15	±0.3	mm	30 - 120	±0.15	±0.3	mm
	120 - 400	±0.2	±0.5	mm	120 - 400	±0.2	±0.5	mm	120 - 400	±0.2	±0.5	mm	120 - 400	±0.2	±0.5	mm
	400 - 1000	±0.3	±0.8	mm	400 - 1000	±0.3	±0.8	mm	400 - 1000	±0.3	±0.8	mm	400 - 1000	±0.3	±0.8	mm

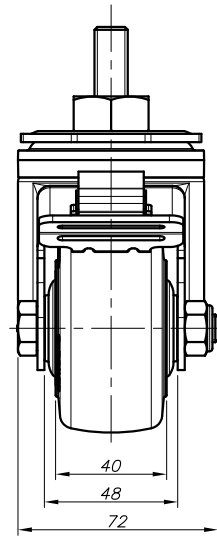
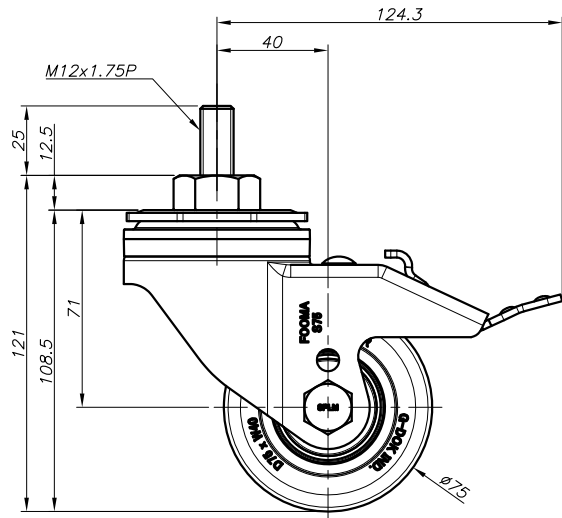
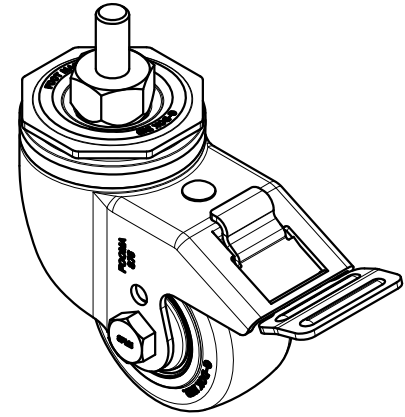
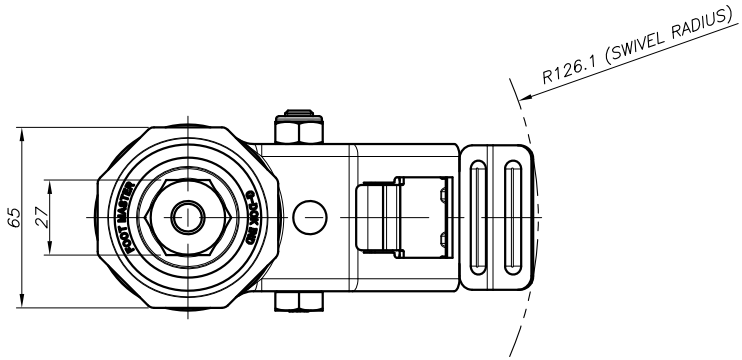
APPROVED BY	CHECKED BY	DRAWN BY
O.C.K	J.Y.H	K.S.J

FOOT MASTER®		FOOMA®		G-DOK IND.	
SERIES NAME	SPLM-SERIES	DATE	2025.02.19	GSN NO.	39141-211111
PRODUCT NAME	SPLM-75-ASS-HRD-PM12	SCALE	1/2	DWG. NO.	39141-211111
PART NAME	ASSEMBLY	WEIGHT	--	REVISION	SIZE A3
GENERAL TOLERANCE		B	ANGLE		⊕

FOOT MASTER G-DOK IND.

REV. NO.	DATE	DESCRIPTION	APP'D	REMARKS
1	-	-	-	-

0 STEM BOLT : M12x1.75P



NOTE
 1) MATERIAL : STAINLESS

PROCESS		---	
MATERIAL		---	
APPROVED BY		O.C.K	
CHECKED BY		J.Y.H	
DRAWN BY		K.S.J	

FOOT MASTER®		FOOMA®		G-DOK IND.	
SERIES NAME	SPLM-SERIES	DATE	2025.02.19	GSN NO.	39151-211111
PRODUCT NAME	SPLM-75-BSS-HRD-PM12	SCALE	1/2	DWG. NO.	39151-211111
PART NAME	ASSEMBLY	WEIGHT	--	REVISION	SIZE A3
GENERAL TOLERANCE		B		ANGLE	

FOOT MASTER G-DOK IND.