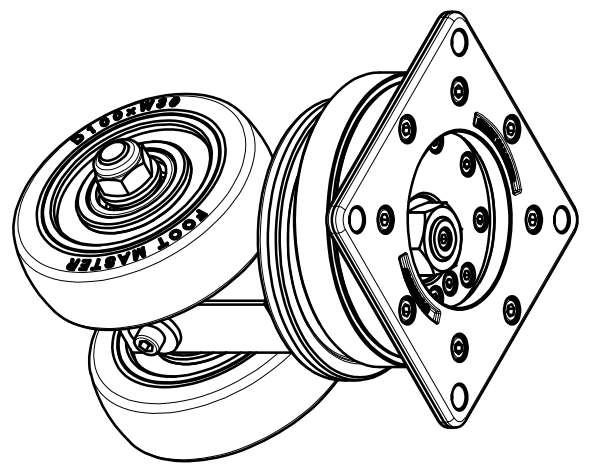
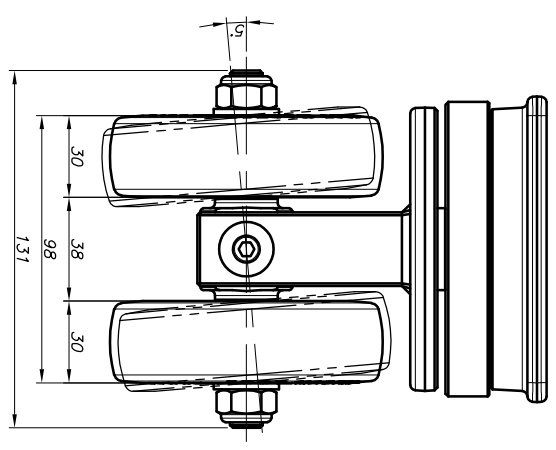
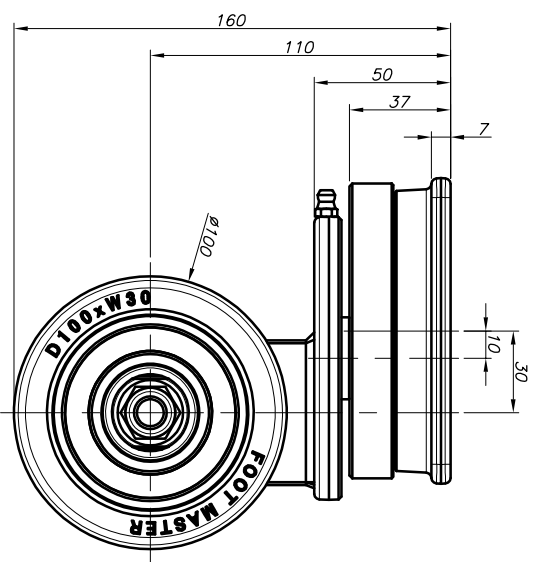
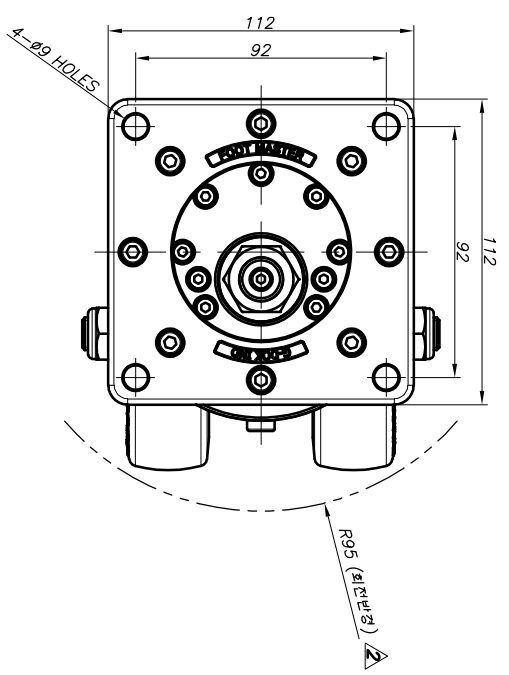


0



REV. NO.	DATE	DESCRIPTION	APP'D.	REMARKS
1	2024.05.09	제품 개발서	O.C.K	-
2	2024.12.16	제품서 수정서	O.C.K	-

NOTE
주1) 제품재질 : 310KG/EA

PROCESS		APPROVED BY		CHECKED BY		DRAWN BY	
PROCESS	---	APPROVED BY	O.C.K	CHECKED BY	---	DRAWN BY	J.T.H

GENERAL DIMENSIONS		CUSTOMER		FOOT MASTER®		FOOMA®		G-DOK IND.	
DATE	2024.12.16	CUSTOMER	AGI CASTER	FOOT MASTER®	FOOMA®	G-DOK IND.			
SCALE	N/S	PRODUCT NAME	CAHT-100-ASF-HUD						
WEIGHT	---	PART NAME	ASSEMBLY						

FOOT MASTER G-DOK IND. FOOT MASTER G-DOK IND.