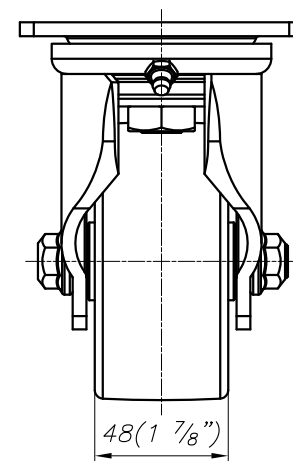
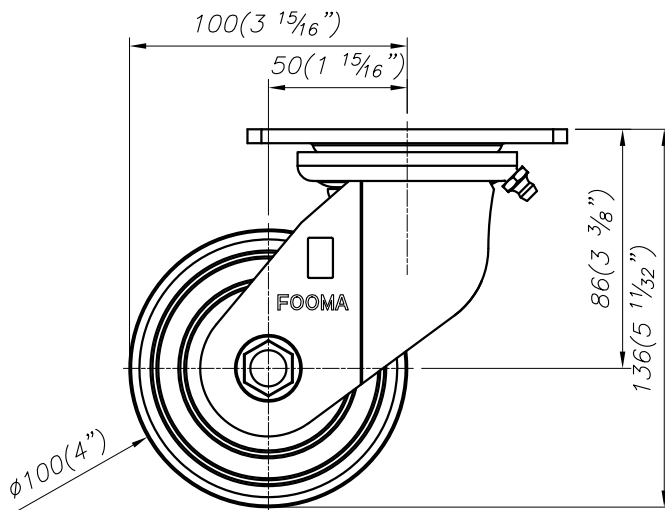


4- $\phi 11(7/16)$ SLOT HOLES
FOR M10 BOLT



FOOT MASTER[®]

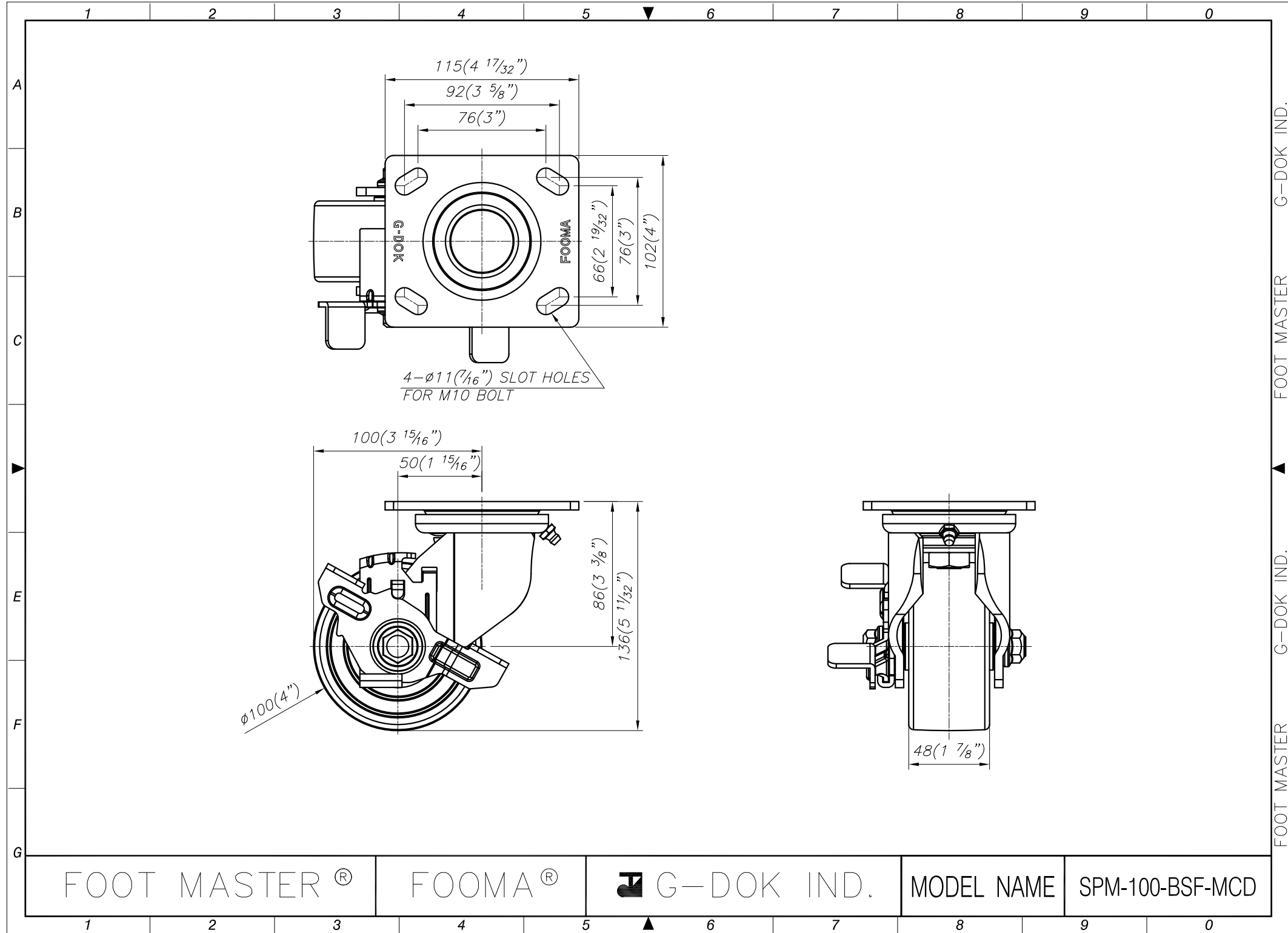
FOOMA[®]

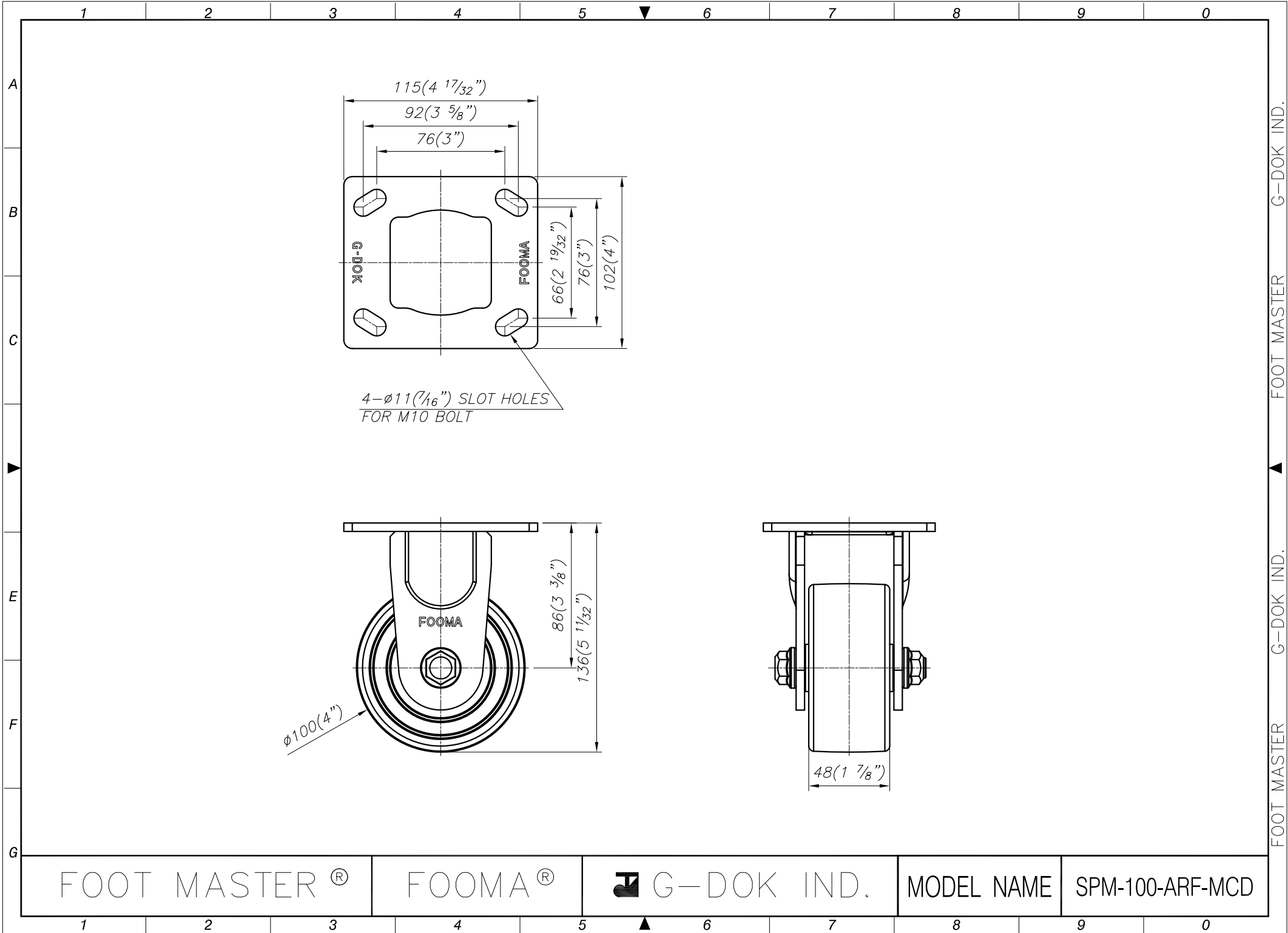
 G-DOK IND.

MODEL NAME

SPM-100-ASF-MCD

FOOT MASTER G-DOK IND. FOOT MASTER G-DOK IND.





FOOT MASTER®

FOOMA®

G-DOK IND.

MODEL NAME

SPM-100-ARF-MCD

FOOT MASTER G-DOK IND. FOOT MASTER G-DOK IND.