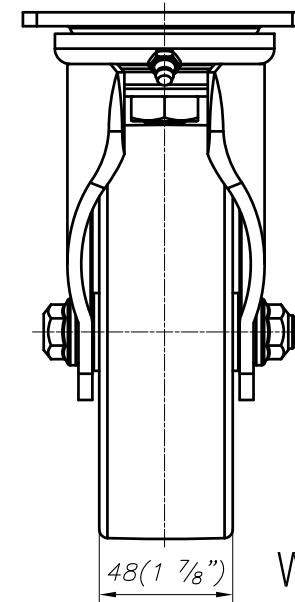
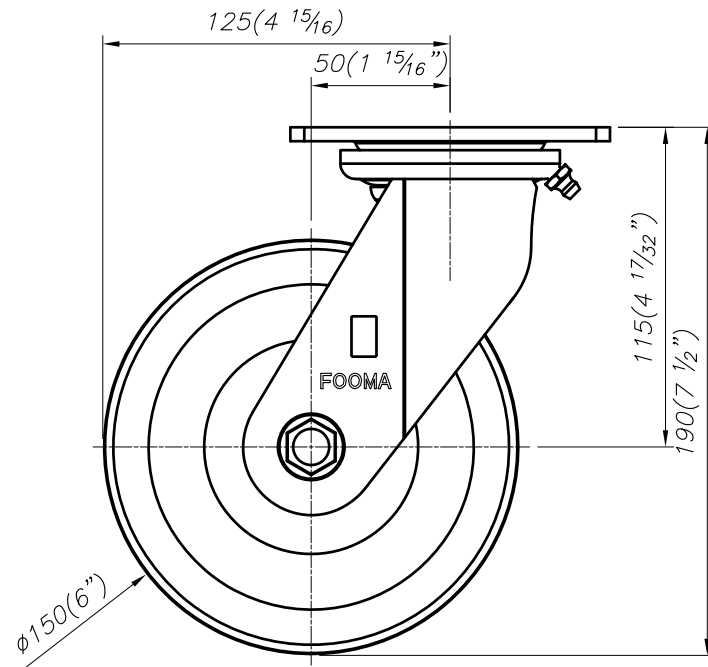


4- $\phi 11(7/16)$  SLOT HOLES  
FOR M10 BOLT



FOOT MASTER®

FOOMA®

G-DOK IND.

MODEL NAME

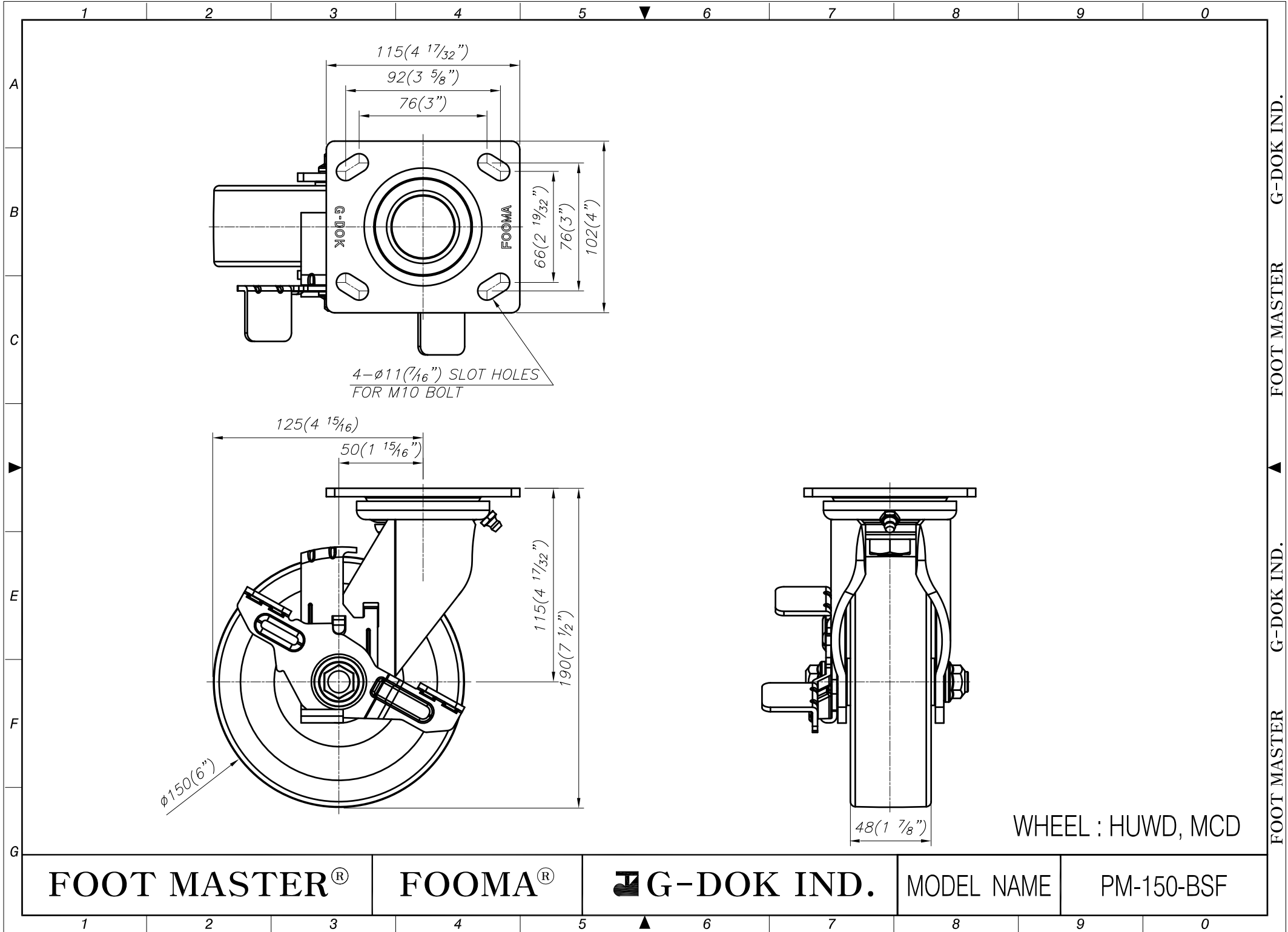
PM-150-ASF

G-DOK IND.

FOOT MASTER

G-DOK IND.

FOOT MASTER



FOOT MASTER®

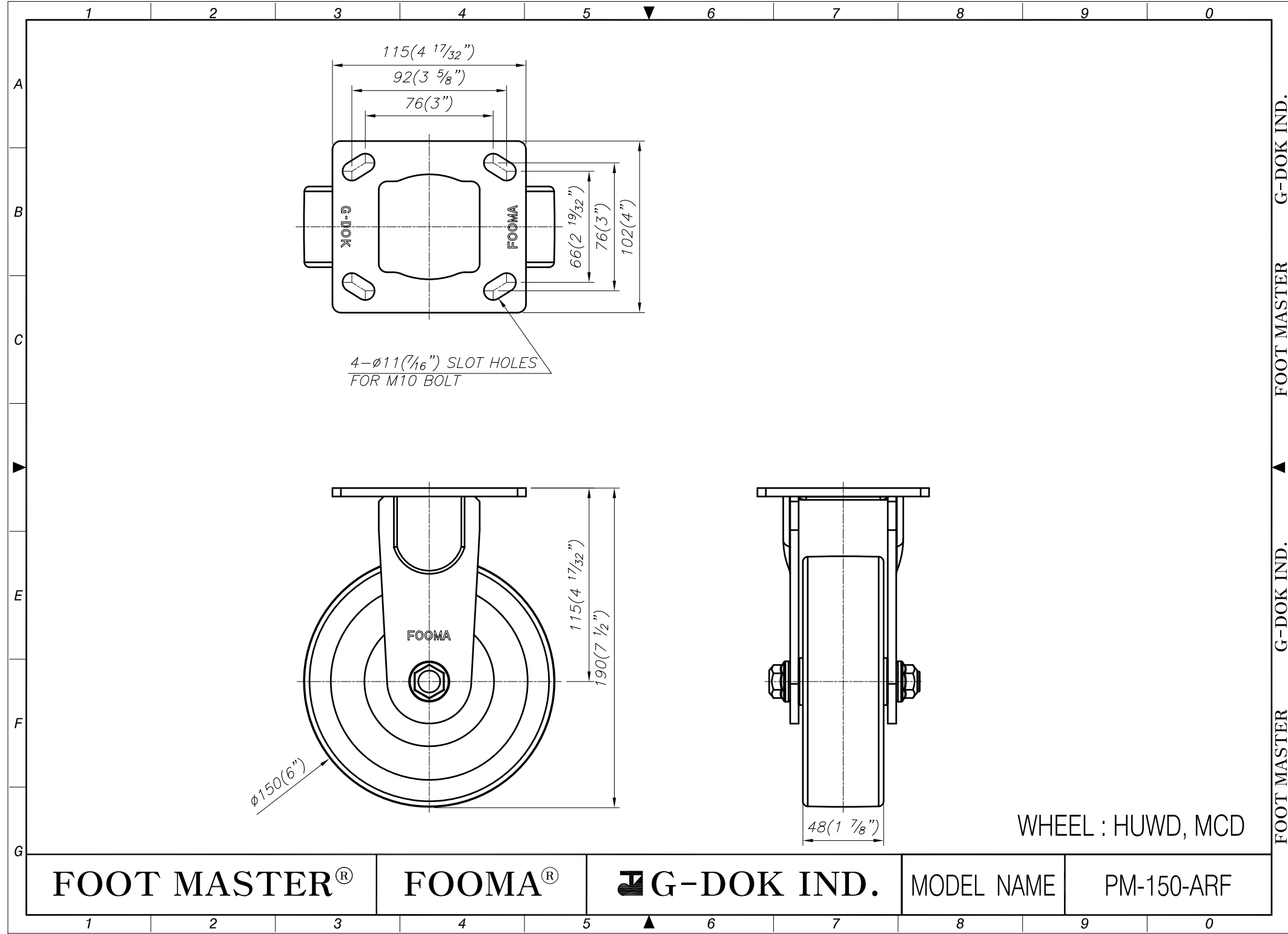
FOOMA®

G-DOK IND.

MODEL NAME

PM-150-BSF

FOOT MASTER G-DOK IND. FOOT MASTER G-DOK IND. FOOT MASTER G-DOK IND.



FOOT MASTER®

FOOMA®

G-DOK IND.

MODEL NAME

PM-150-ARF

FOOT MASTER G-DOK IND. FOOT MASTER G-DOK IND. FOOT MASTER G-DOK IND.