

1 2 3 4 5 6 7 8 9 0

A

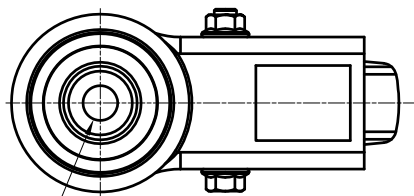
B

C

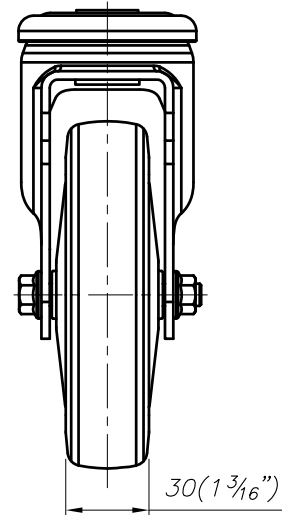
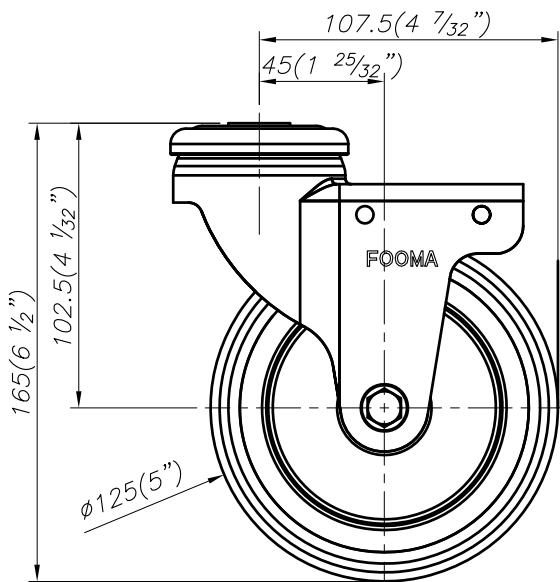
E

F

G



$\phi 12.5 (1\frac{5}{32})$ HOLES
FOR M12 BOLT



FOOT MASTER[®]

FOOMA[®]

G-DOK IND.

MODEL NAME

P-125-ASS-HRS

1 2 3 4 5 6 7 8 9 0

G-DOK IND.

FOOT MASTER

G-DOK IND.

FOOT MASTER

1 2 3 4 5 6 7 8 9 0

A

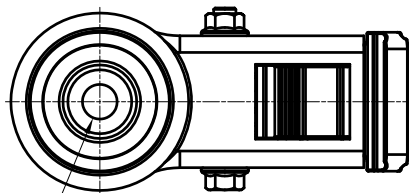
B

C

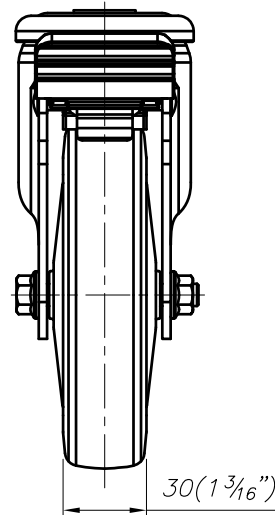
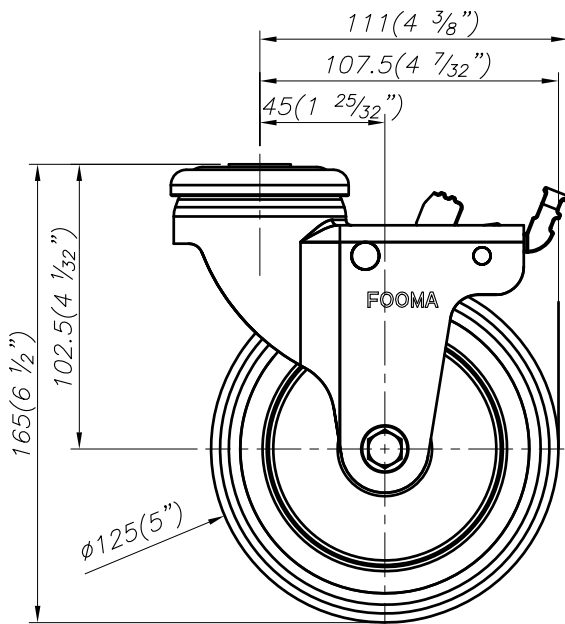
E

F

G



$\phi 12.5$ ($1\frac{5}{32}$ ") HOLES
FOR M12 BOLT



FOOT MASTER [®]

FOOMA [®]

 G-DOK IND.

MODEL NAME

P-125-BSS-HRS

1 2 3 4 5 6 7 8 9 0

G-DOK IND.

FOOT MASTER

G-DOK IND.

FOOT MASTER