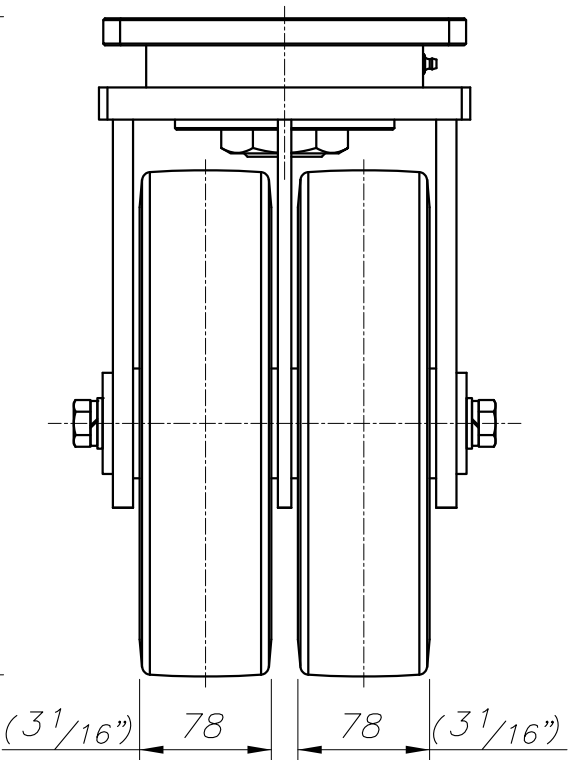
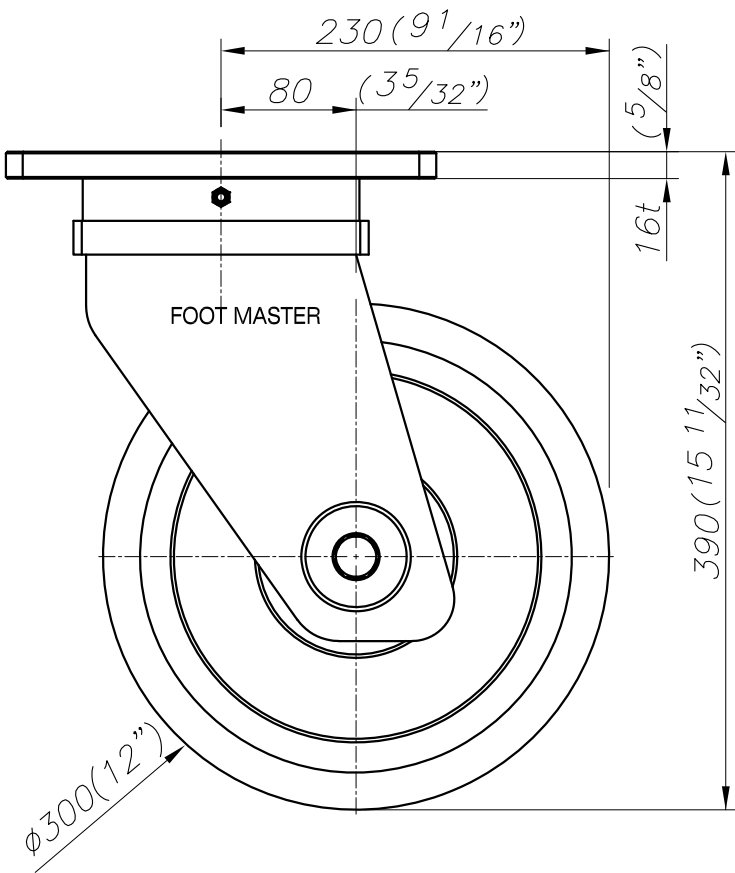
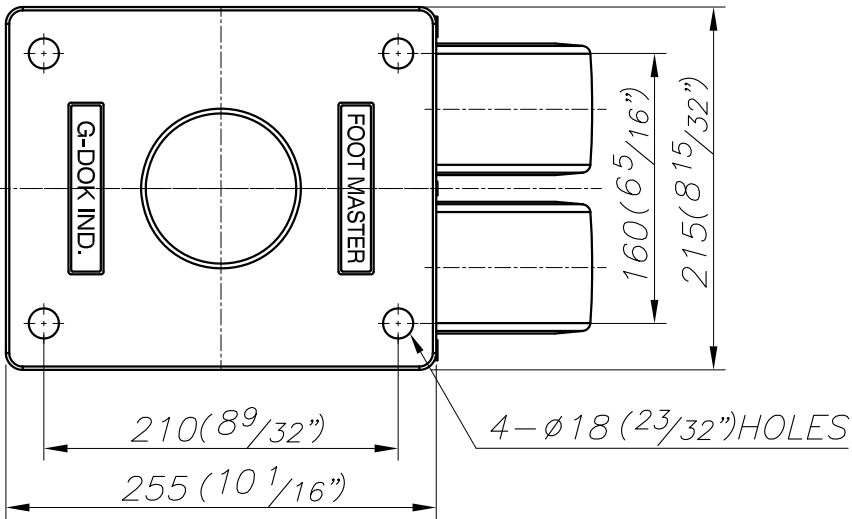


FOOT MASTER

G-DOK IND.

FOOT MASTER

G-DOK IND.



FOOT MASTER[®]

FOOMA[®]

 G-DOK IND.

MODEL NAME

GXTD-300-ASF

A

B

C

E

F

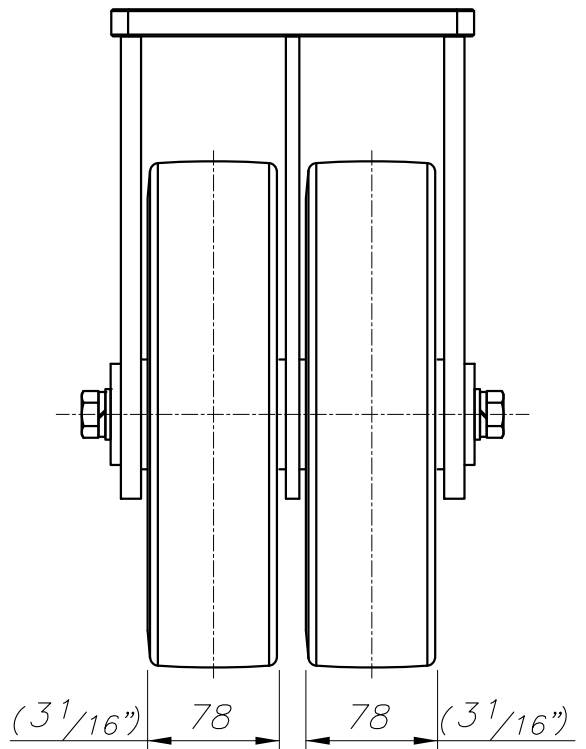
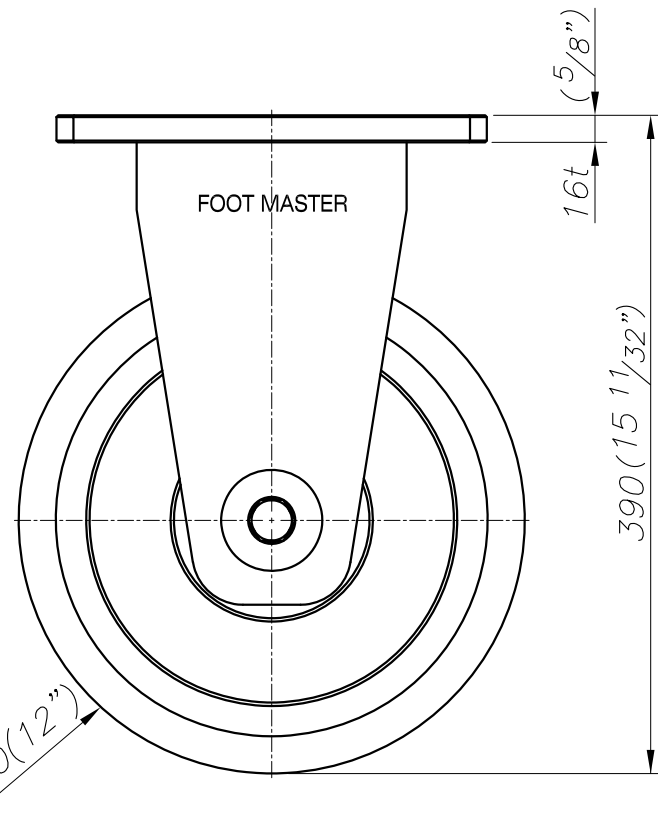
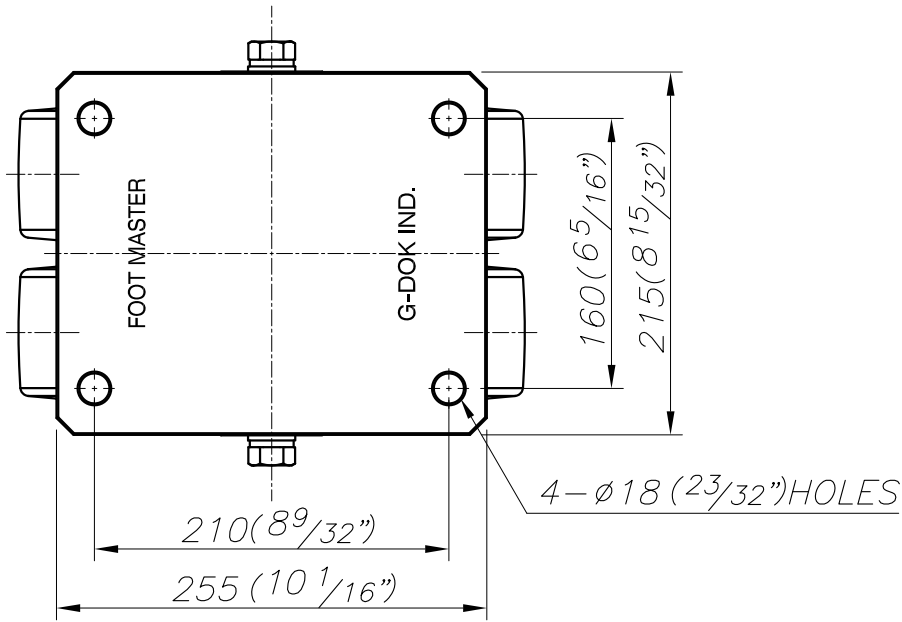
G

FOOT MASTER

G-DOK IND.

FOOT MASTER

G-DOK IND.



FOOT MASTER®

FOOMA®

G-DOK IND.

MODEL NAME

GXTD-300-ARF

A

B

C

E

F

G