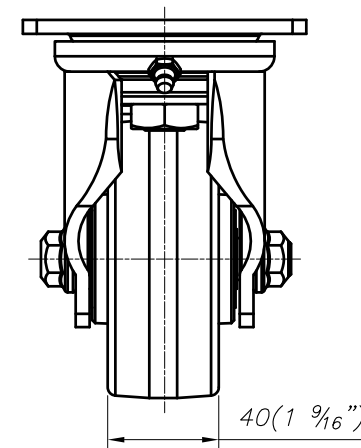
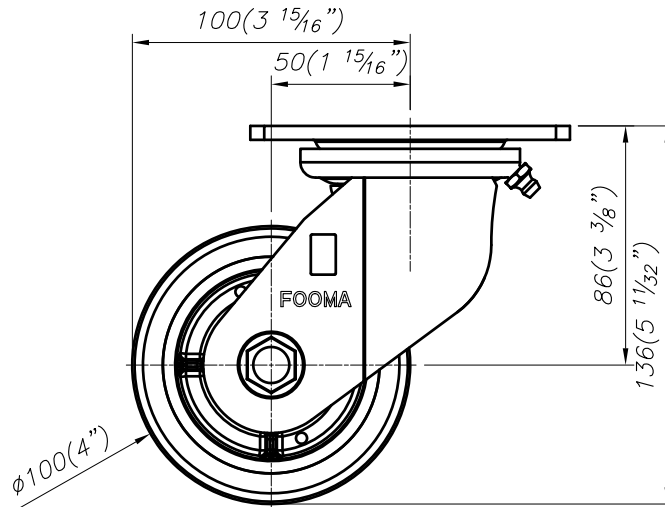


4- $\phi 11(7/16)$  SLOT HOLES  
FOR M10 BOLT



WHEEL : MUD, SUD

FOOT MASTER®

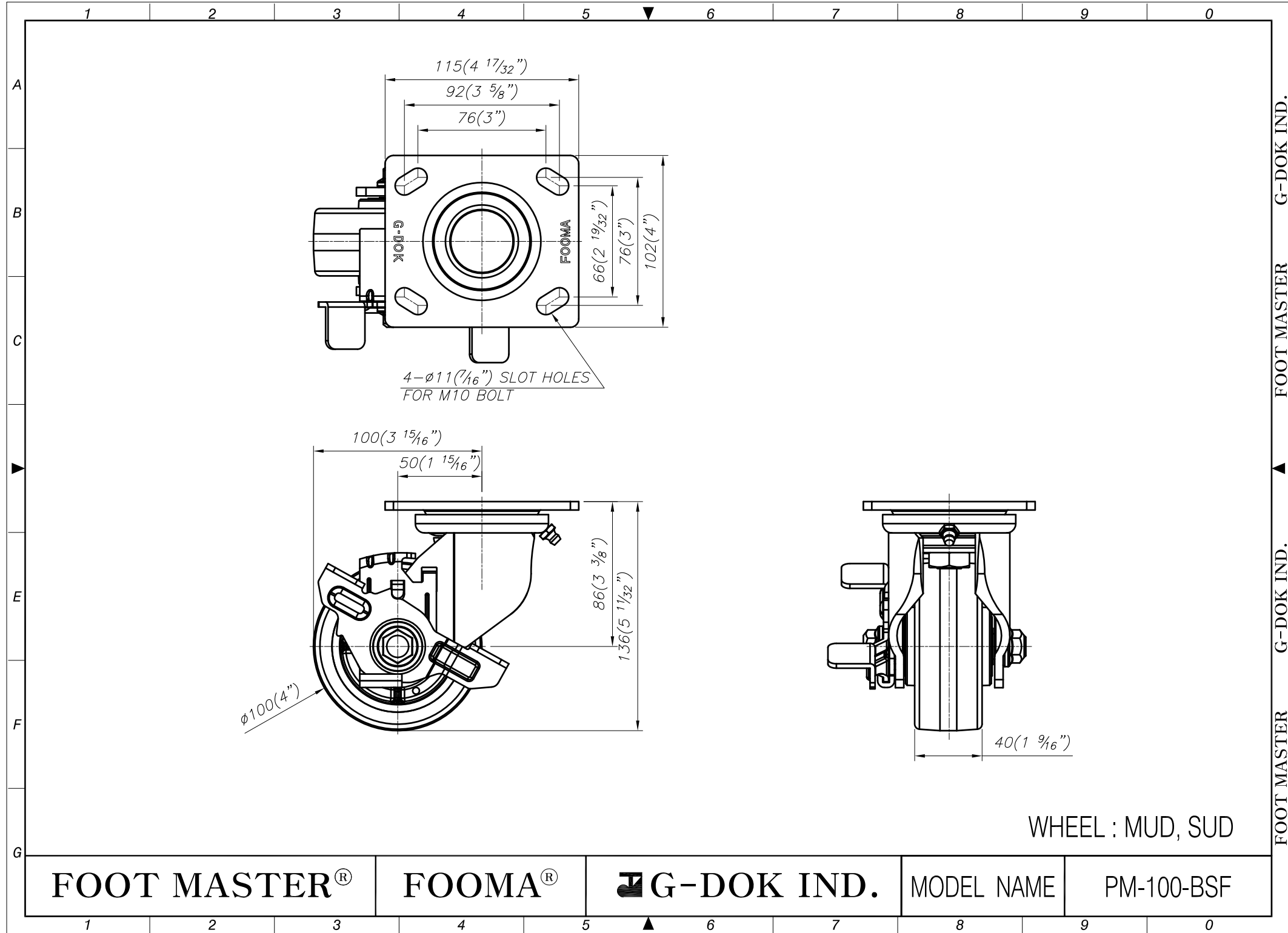
FOOMA®

G-DOK IND.

MODEL NAME

PM-100-ASF

FOOT MASTER G-DOK IND. FOOT MASTER G-DOK IND. FOOT MASTER G-DOK IND.



FOOT MASTER®

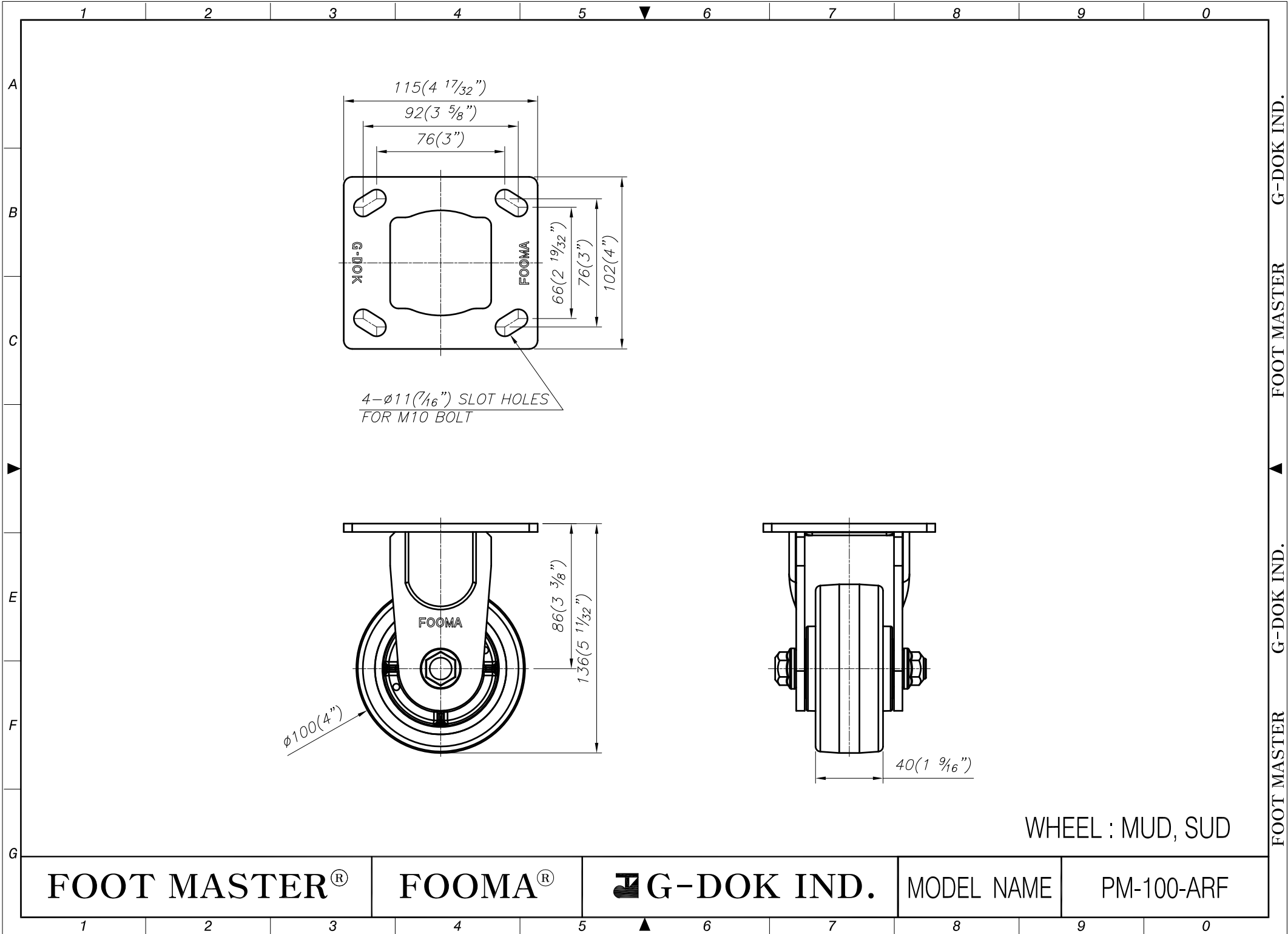
FOOMA®

G-DOK IND.

MODEL NAME

PM-100-BSF

FOOT MASTER G-DOK IND. FOOT MASTER G-DOK IND.



FOOT MASTER®

FOOMA®

G-DOK IND.

MODEL NAME

PM-100-ARF

FOOT MASTER G-DOK IND. FOOT MASTER G-DOK IND. FOOT MASTER G-DOK IND.