

FOOT MASTER

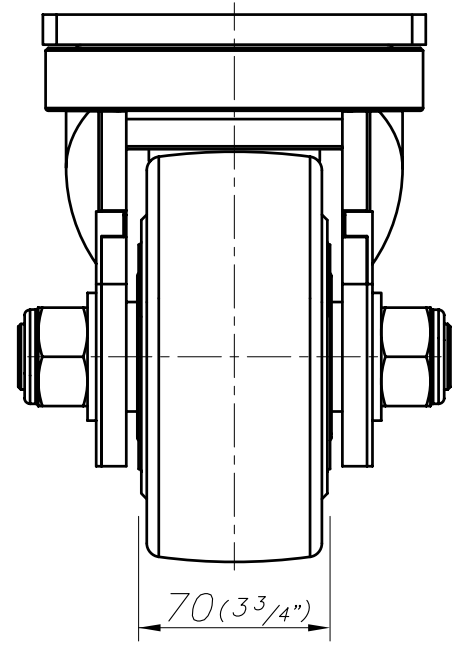
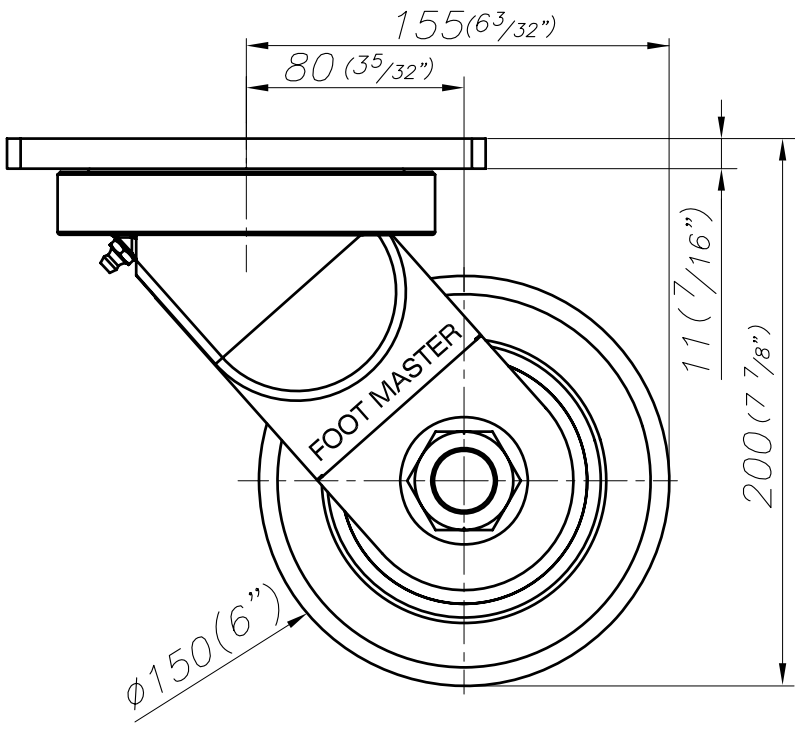
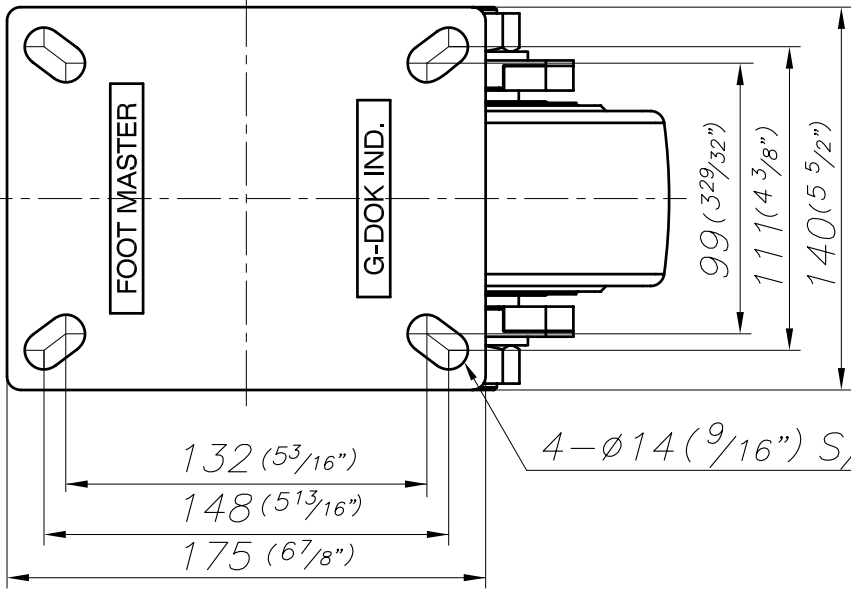
G-DOK IND.

FOOT MASTER

G-DOK IND.

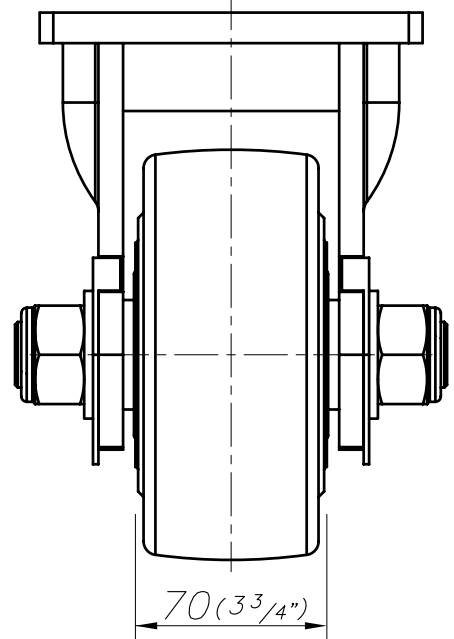
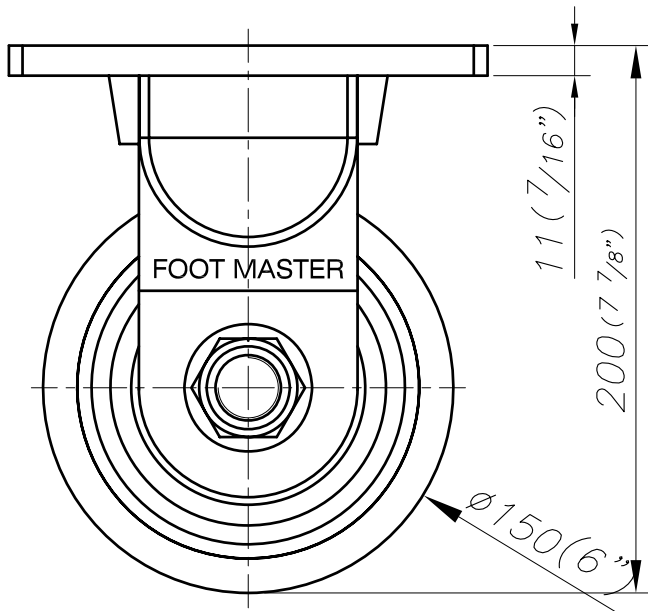
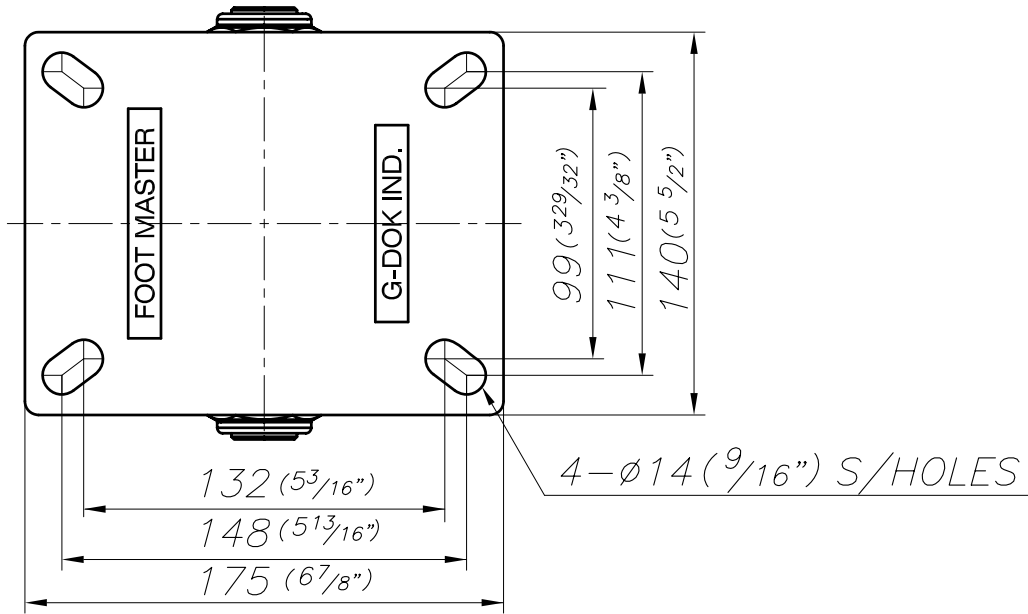
1  
2  
3  
4  
5  
6  
7  
8  
9  
0

1  
2  
3  
4  
5  
6  
7  
8  
9  
0



|              |        |            |            |                 |
|--------------|--------|------------|------------|-----------------|
| FOOT MASTER® | FOOMA® | G-DOK IND. | MODEL NAME | GXT-150-ASF-MCD |
|--------------|--------|------------|------------|-----------------|

A B C E F G



1  
2  
3  
4  
5  
6  
7  
8  
9  
0

1  
2  
3  
4  
5  
6  
7  
8  
9  
0

