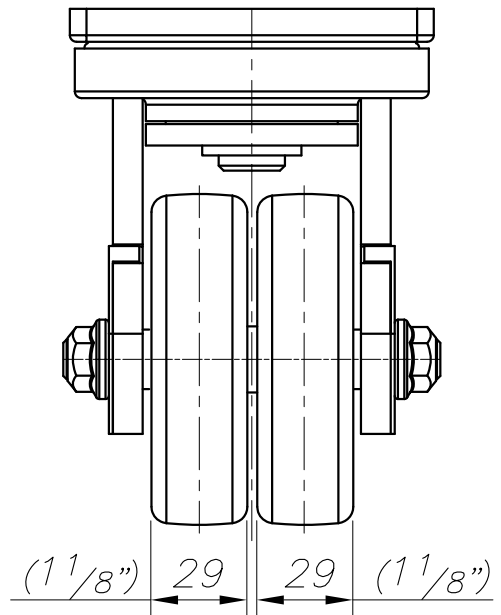
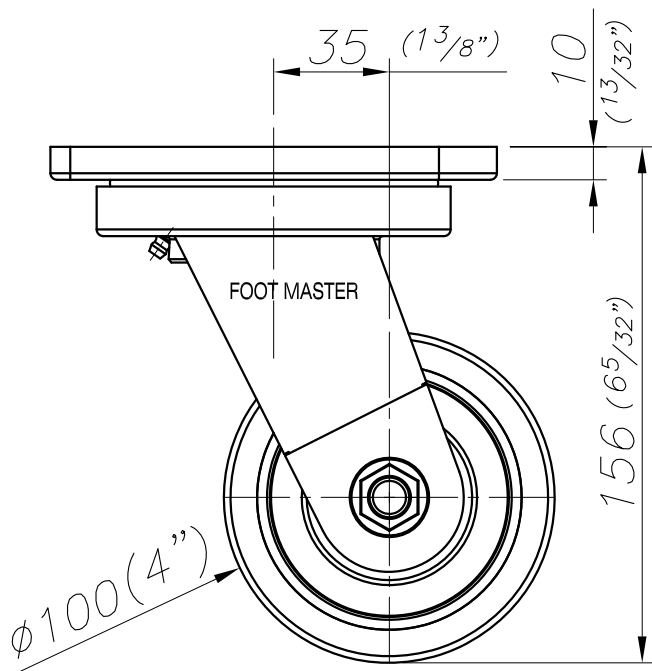
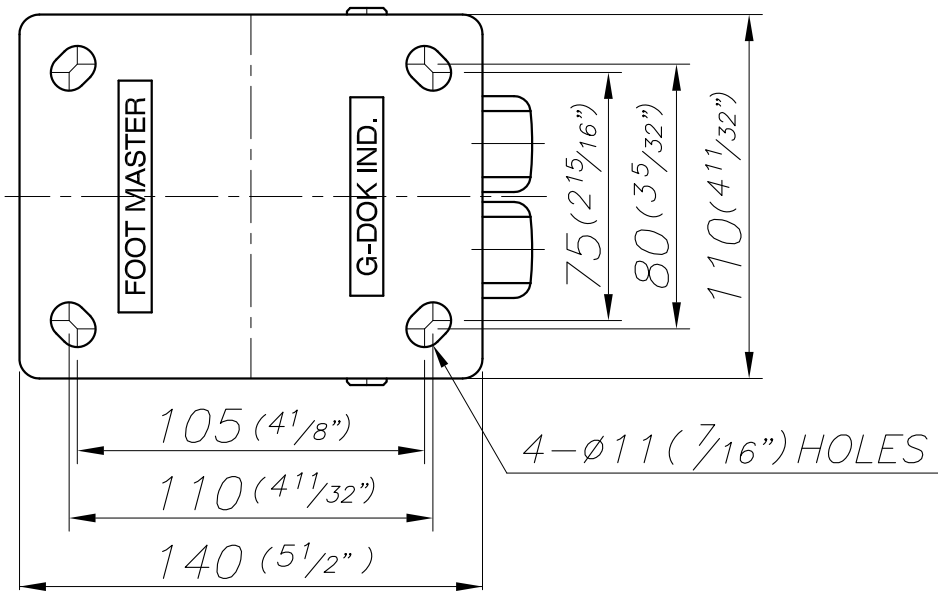


FOOT MASTER

G-DOK IND.

FOOT MASTER

G-DOK IND.



FOOT MASTER [®]

FOOMA [®]

 G-DOK IND.

MODEL NAME

GXTD-100-ASF

A

B

C

E

F

G