

4- $\phi 11(7/16)$ SLOT HOLE

FOOT MASTER[®]

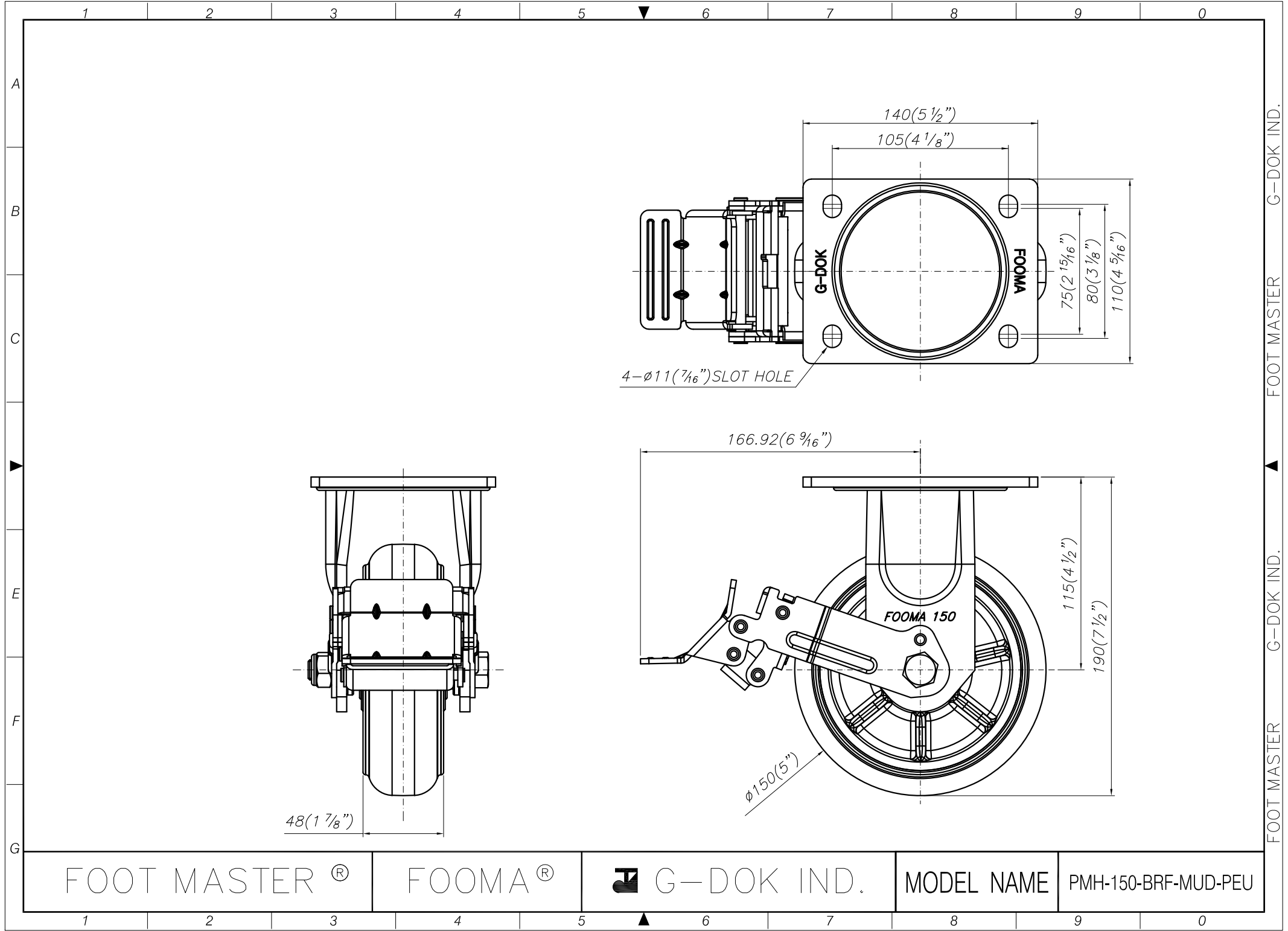
FOOMA[®]

 G-DOK IND.

MODEL NAME

PMH-150-ARF-MUD-PEU

FOOT MASTER G-DOK IND. FOOT MASTER G-DOK IND.



FOOT MASTER[®]

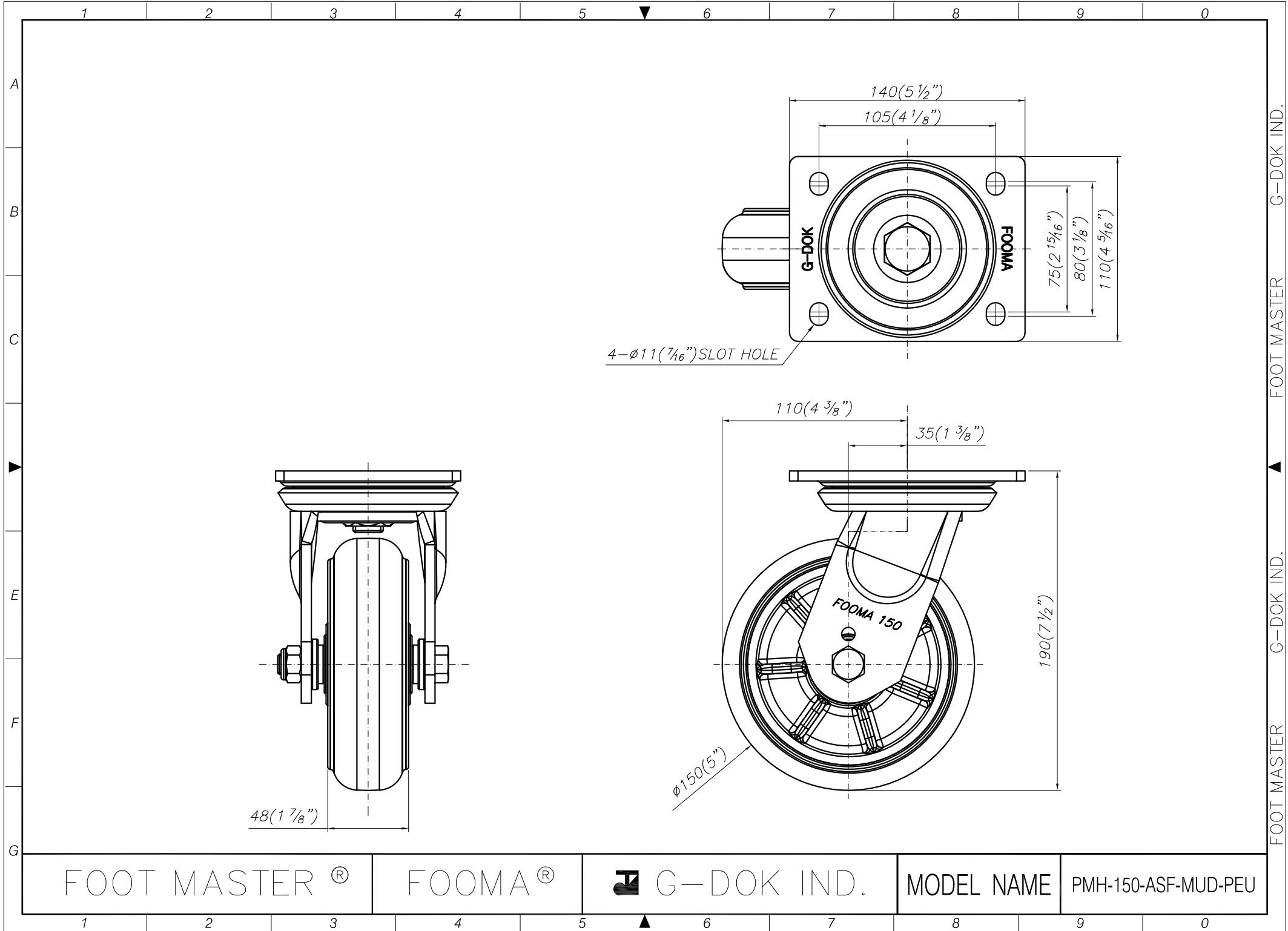
FOOMA[®]

G-DOK IND.

MODEL NAME

PMH-150-BRF-MUD-PEU

FOOT MASTER G-DOK IND.



FOOT MASTER®

FOOMA®



G-DOK IND.

MODEL NAME

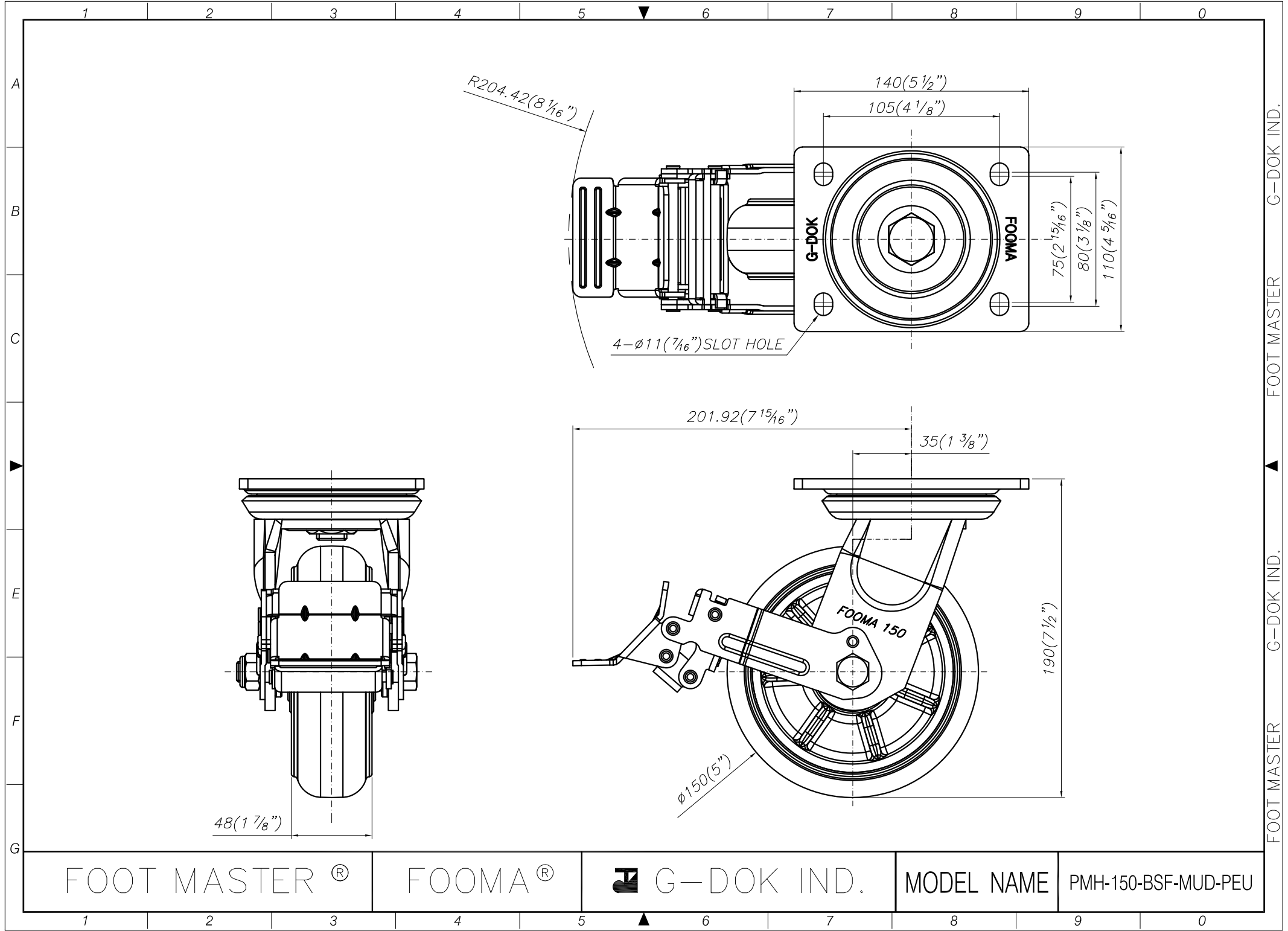
PMH-150-ASF-MUD-PEU

G-DOK IND.

FOOT MASTER

G-DOK IND.

FOOT MASTER



FOOT MASTER[®]

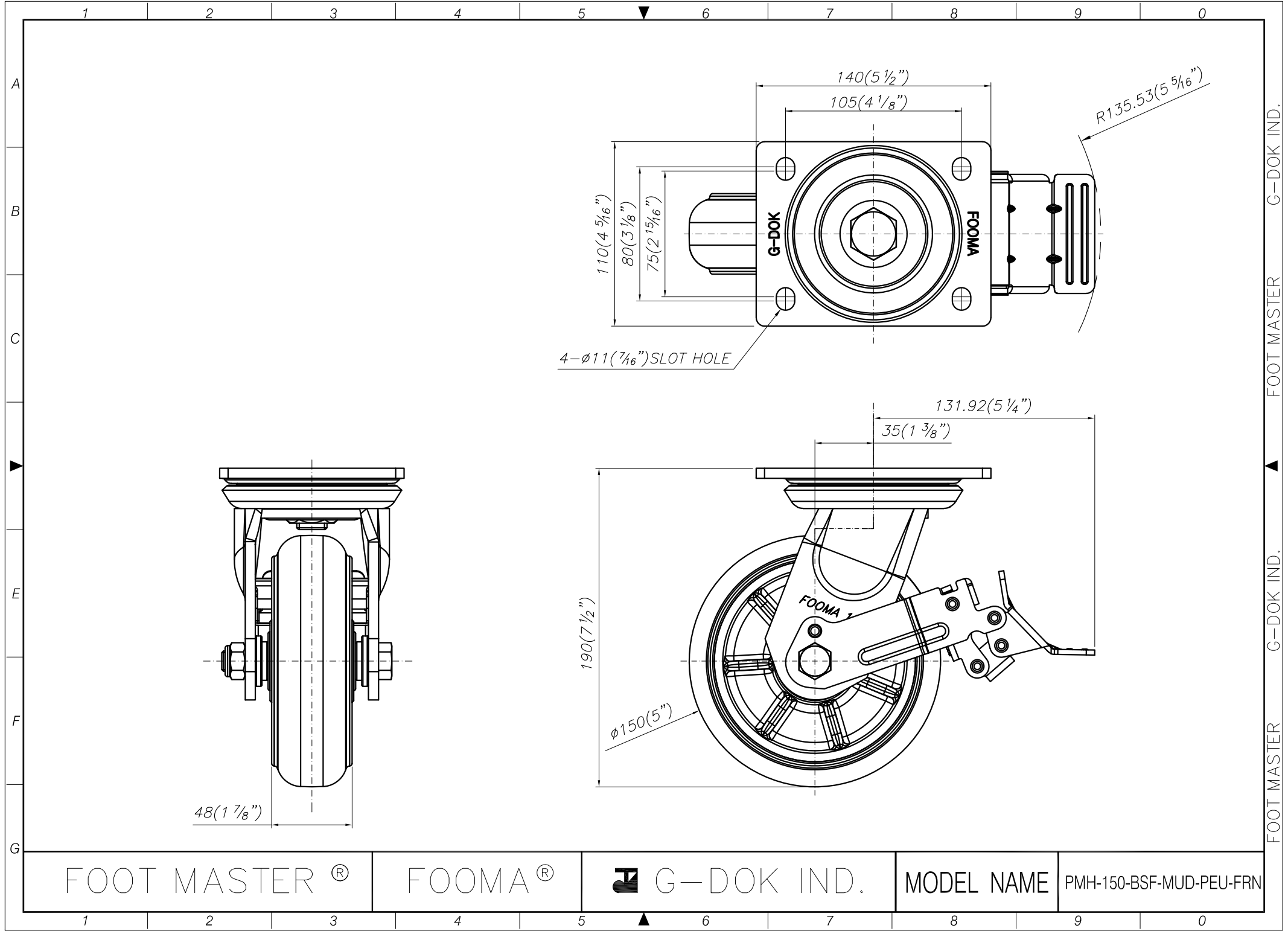
FOOMA[®]

 G-DOK IND.

MODEL NAME

PMH-150-BSF-MUD-PEU

FOOT MASTER G-DOK IND. G-DOK IND. FOOT MASTER G-DOK IND.



FOOT MASTER®

FOOMA®

 G-DOK IND.

MODEL NAME

PMH-150-BSF-MUD-PEU-FRN

FOOT MASTER G-DOK IND. FOOT MASTER G-DOK IND.