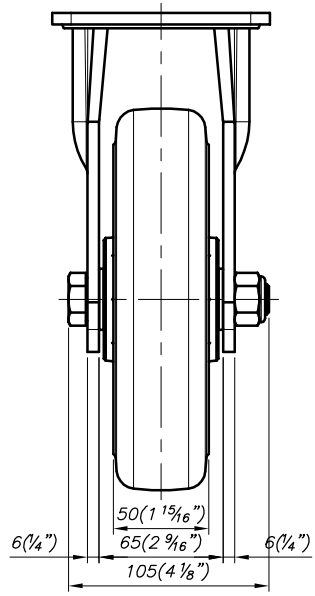
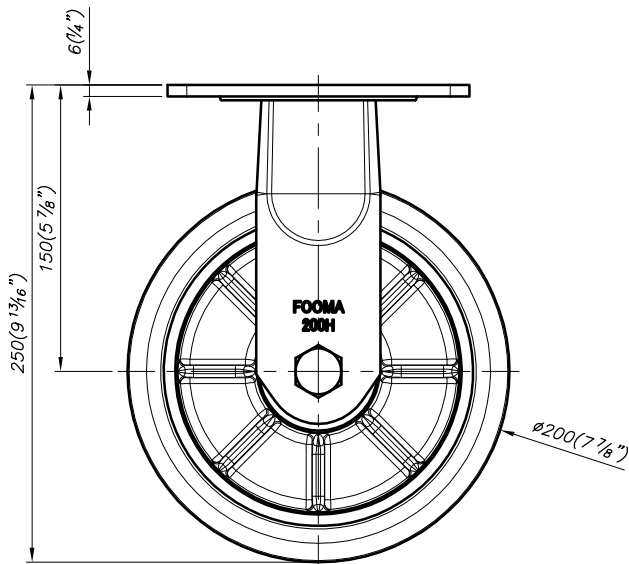
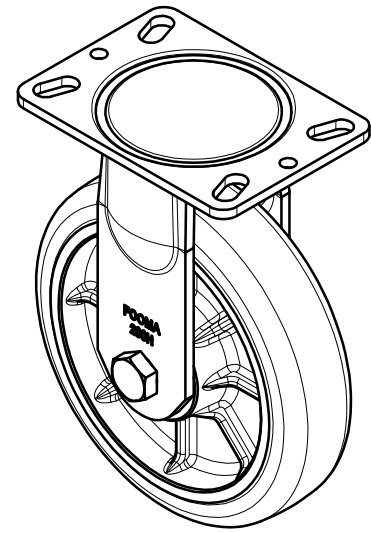
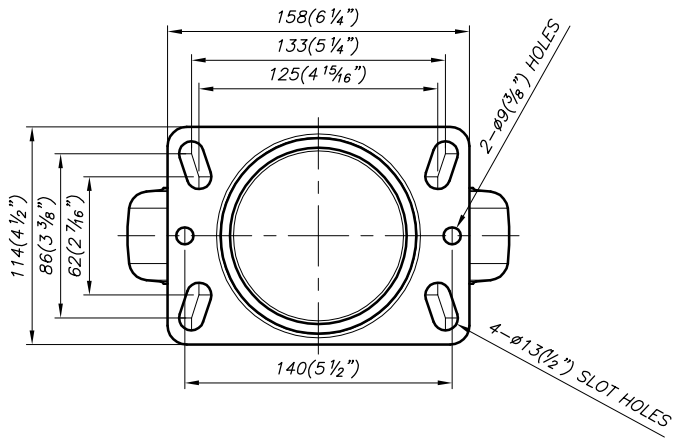


| REV. NO. | DATE | DESCRIPTION | APP'D | REMARKS |
|----------|------|-------------|-------|---------|
| 1 | - | - | - | - |

0



NOTE
 1) LOAD CAPACITY : 900KG/EA
 2) SURFACE TREATMENT : POWDER COATED & ZINC GALVANIZED

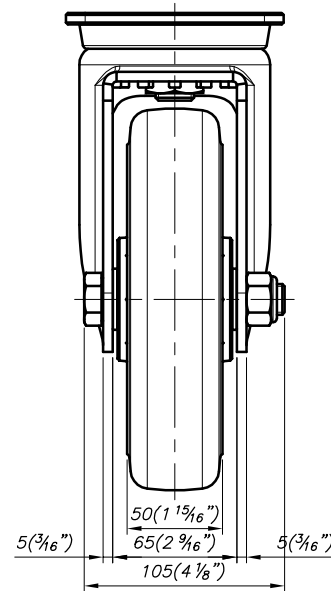
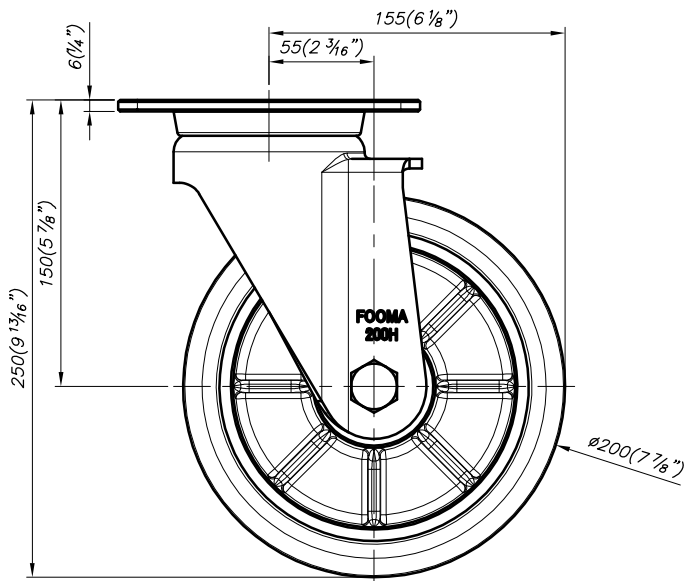
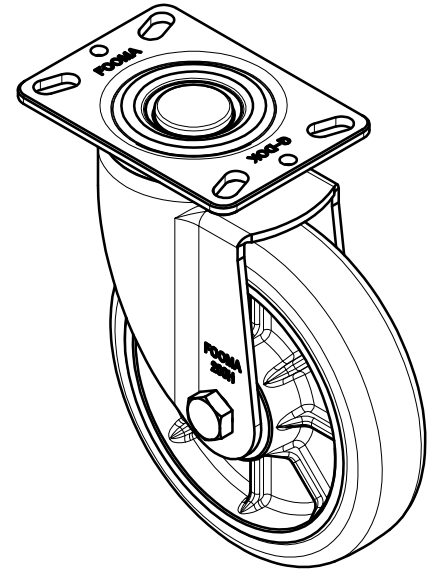
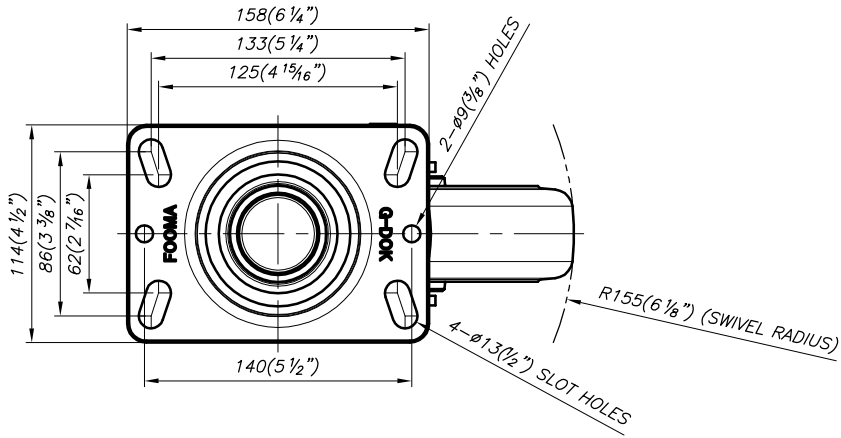
| PROCESS | | GENERAL TOLERANCE | | | | | | | | | | | | | | | | | |
|-------------|-------|-------------------|--|----------|--|---------------|--|----------------------|--|------------------|--|----------|--|---------------|--|----------|--|---------|--|
| MATERIAL | | MACHINING WORKING | | | | DIE CASTING | | | | ELECTRON BEAMING | | | | PRESS WORKING | | | | | |
| APPROVED BY | | CHECKED BY | | DRAWN BY | | CUTTER HEIGHT | | WHEEL OUTER DIAMETER | | WHEEL HUB WIDTH | | PRESSURE | | GENERAL | | PRESSURE | | GENERAL | |
| O.C.K | J.Y.H | J.T.H | | | | | | | | | | | | | | | | | |

| | | | | | |
|--------------|-----------------|-------------------|------------|------------|--------------|
| FOOT MASTER® | | FOOMA® | | G-DOK IND. | |
| SERIES NAME | GHP-SERIES | DATE | 2024.04.26 | GSN NO. | 5E321-111111 |
| PRODUCT NAME | GHP-200-ARF-MUD | SCALE | 1/3 | DWG. NO. | 5E321-111111 |
| PART NAME | ASSEMBLY | WEIGHT | -- | REVISION | SIZE A3 |
| | | GENERAL TOLERANCE | B | ANGLE | ⊕ ⊖ |

FOOT MASTER G-DOK IND. FOOT MASTER G-DOK IND.

| REV. NO. | DATE | DESCRIPTION | APP'D | REMARKS |
|----------|------|-------------|-------|---------|
| 1 | - | - | - | - |

0



NOTE

- ±1) LOAD CAPACITY : 900KG/EA
- ±2) SURFACE TREATMENT : POWDER COATED & ZINC GALVANIZED

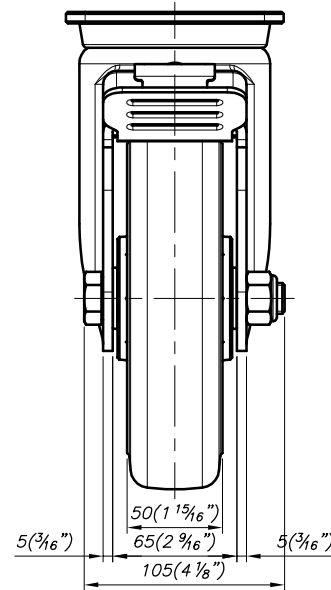
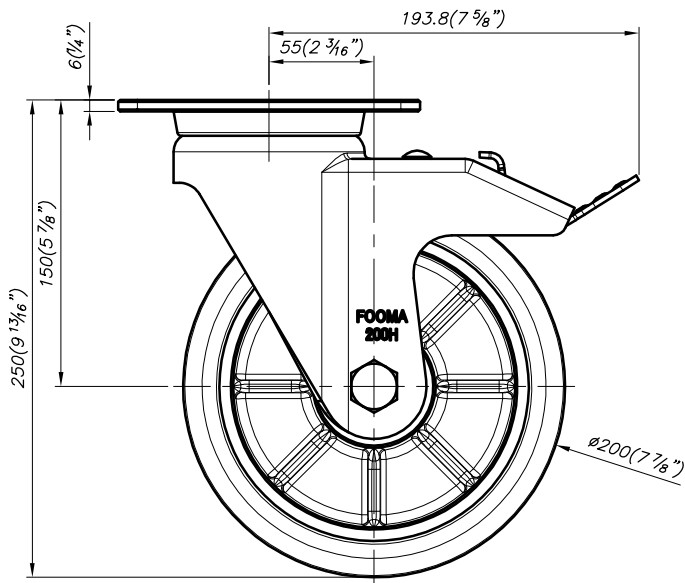
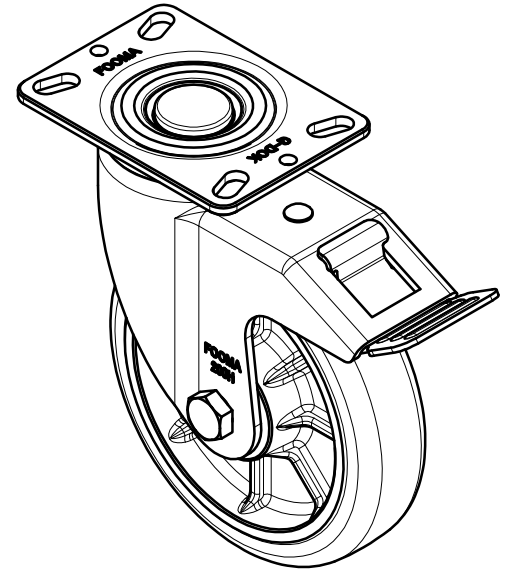
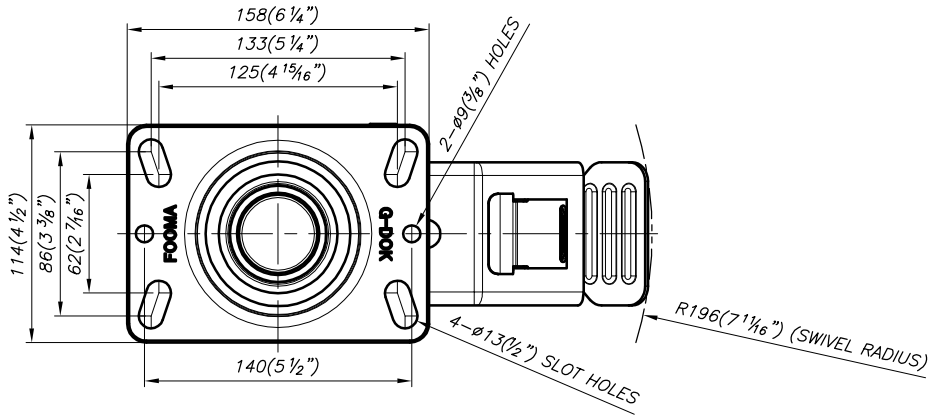
| PROCESS | | GENERAL TOLERANCE | | | | | | | | | | | | | | | |
|-------------|------------|-------------------|---------------------------|-----------|---------|-------------|-----------|---------|--------|-----------------------|---------|--------|-----------|---------------|--------|-----------|---------|
| MATERIAL | | MACHINING WORKING | | | | DIE CASTING | | | | ELECTRON BEAM WELDING | | | | PRESS WORKING | | | |
| APPROVED BY | CHECKED BY | DRAWN BY | PRODUCT GENERAL TOLERANCE | | | | | | | | | | | | | | |
| O.C.K | J.Y.H | J.T.H | CLASS | PRECISION | GENERAL | FINISH | PRECISION | GENERAL | FINISH | PRECISION | GENERAL | FINISH | PRECISION | GENERAL | FINISH | PRECISION | GENERAL |
| | | | 6-30 | ±0.15 | ±0.2 | RA1 | RA1 | RA1 | RA1 | RA1 | RA1 | RA1 | RA1 | RA1 | RA1 | RA1 | RA1 |
| | | | 30-120 | ±0.15 | ±0.3 | RA1 | RA1 | RA1 | RA1 | RA1 | RA1 | RA1 | RA1 | RA1 | RA1 | RA1 | RA1 |
| | | | 120-400 | ±0.2 | ±0.5 | RA1 | RA1 | RA1 | RA1 | RA1 | RA1 | RA1 | RA1 | RA1 | RA1 | RA1 | RA1 |
| | | | 400-1000 | ±0.3 | ±0.8 | RA1 | RA1 | RA1 | RA1 | RA1 | RA1 | RA1 | RA1 | RA1 | RA1 | RA1 | RA1 |

| | | | | | |
|--------------|-----------------|-------------------|------------|------------|--------------|
| FOOT MASTER® | | FOOMA® | | G-DOK IND. | |
| SERIES NAME | GHP-SERIES | DATE | 2024.04.26 | GSN NO. | 5E311-111111 |
| PRODUCT NAME | GHP-200-ASF-MUD | SCALE | 1/3 | DWG. NO. | 5E311-111111 |
| PART NAME | ASSEMBLY | WEIGHT | -- | REVISION | SIZE A3 |
| | | GENERAL TOLERANCE | B | ANGLE | ⊕ ⊖ |

FOOT MASTER G-DOK IND. FOOT MASTER G-DOK IND.

| REV. NO. | DATE | DESCRIPTION | APP'D | REMARKS |
|----------|------|-------------|-------|---------|
| 1 | - | - | - | - |

0



NOTE

- ±1) LOAD CAPACITY : 900KG/EA
- ±2) SURFACE TREATMENT : POWDER COATED & ZINC GALVANIZED

| PROCESS | | GENERAL TOLERANCE | | | | | | | | | | | | | | | | | | |
|-------------|------------|-------------------|---------------------------|------|----------------------|-------------|-----------------|------|----------|-------------------|---------|------|----------|---------------|---------|------|----------|------|---------|------|
| MATERIAL | | MACHINING WORKING | | | | DIE CASTING | | | | INJECTION MOLDING | | | | PRESS WORKING | | | | | | |
| APPROVED BY | CHECKED BY | DRAWN BY | PRODUCT GENERAL TOLERANCE | | | | | | | | | | | | | | | | | |
| O.C.K | J.Y.H | J.T.H | CUTTER HEIGHT | | WHEEL OUTER DIAMETER | | WHEEL HUB WIDTH | | PRESSURE | | GENERAL | | PRESSURE | | GENERAL | | PRESSURE | | GENERAL | |
| | | | ±0.05 | ±0.1 | ±0.15 | ±0.2 | ±0.3 | ±0.4 | ±0.5 | ±0.6 | ±0.7 | ±0.8 | ±0.9 | ±1.0 | ±1.2 | ±1.5 | ±2.0 | ±2.5 | ±3.0 | ±4.0 |
| | | | ±0.05 | ±0.1 | ±0.15 | ±0.2 | ±0.3 | ±0.4 | ±0.5 | ±0.6 | ±0.7 | ±0.8 | ±0.9 | ±1.0 | ±1.2 | ±1.5 | ±2.0 | ±2.5 | ±3.0 | ±4.0 |
| | | | ±0.05 | ±0.1 | ±0.15 | ±0.2 | ±0.3 | ±0.4 | ±0.5 | ±0.6 | ±0.7 | ±0.8 | ±0.9 | ±1.0 | ±1.2 | ±1.5 | ±2.0 | ±2.5 | ±3.0 | ±4.0 |
| | | | ±0.05 | ±0.1 | ±0.15 | ±0.2 | ±0.3 | ±0.4 | ±0.5 | ±0.6 | ±0.7 | ±0.8 | ±0.9 | ±1.0 | ±1.2 | ±1.5 | ±2.0 | ±2.5 | ±3.0 | ±4.0 |

| NO. | DESCRIPTION | UNIT | Q'TY | MATERIAL | WEIGHT | SPECIFICATION | REMARKS |
|-----|-------------|------|------|----------|--------|---------------|---------|
| --- | --- | --- | --- | --- | --- | --- | --- |

| | | | | | |
|---------------------|-----------------|-------------------|------------|-------------------|--------------|
| FOOT MASTER® | | FOOMA® | | G-DOK IND. | |
| SERIES NAME | GHP-SERIES | DATE | 2024.04.26 | GSN NO. | 5E331-111111 |
| PRODUCT NAME | GHP-200-BSF-MUD | SCALE | 1/3 | DWG. NO. | 5E331-111111 |
| PART NAME | ASSEMBLY | WEIGHT | --- | REVISION | SIZE A3 |
| | | GENERAL TOLERANCE | B | ANGLE | ⚠ |

FOOT MASTER G-DOK IND.