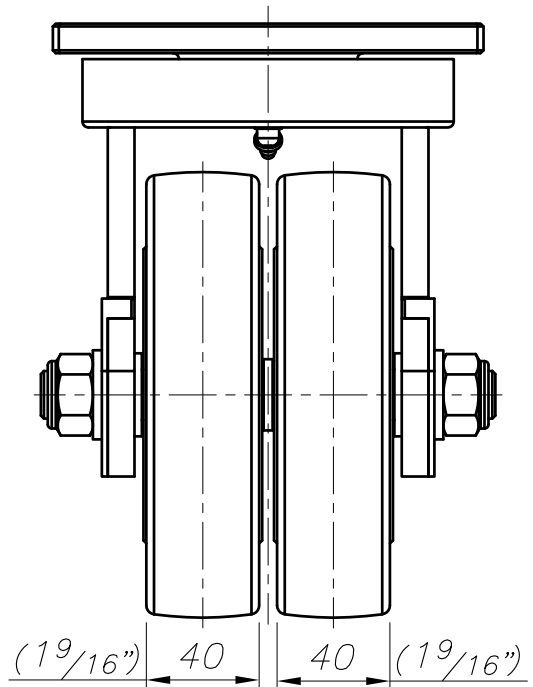
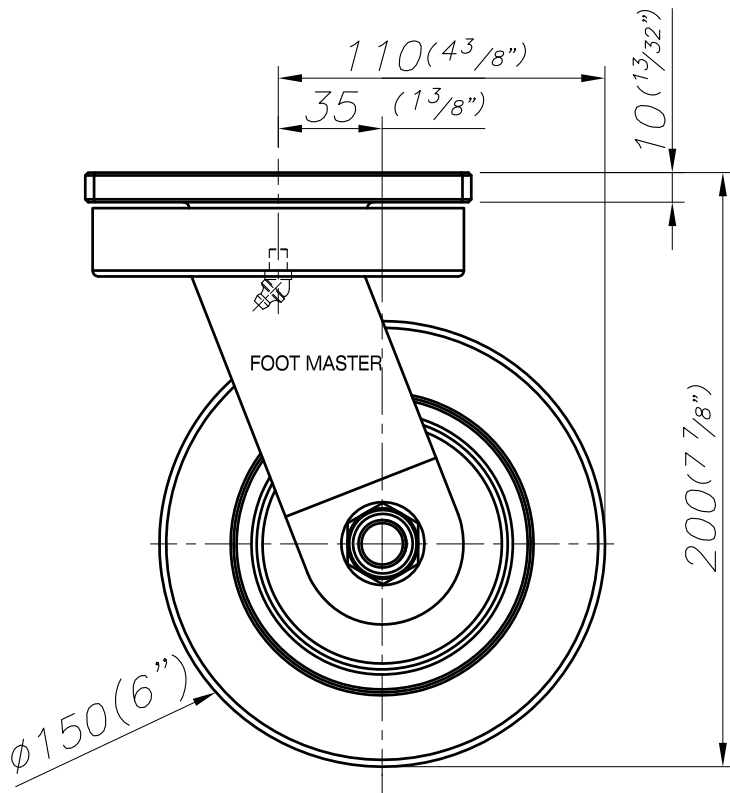
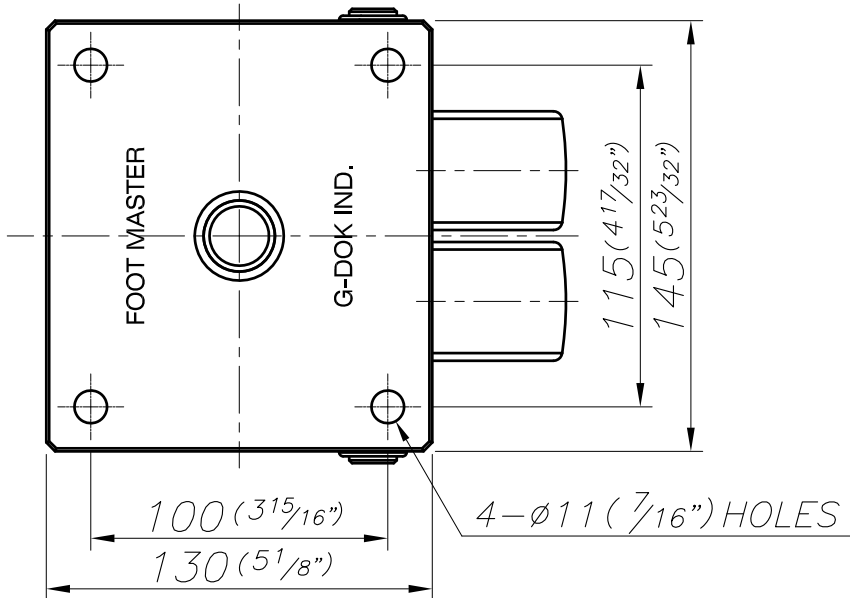


FOOT MASTER

G-DOK IND.

FOOT MASTER

G-DOK IND.



FOOT MASTER ®

FOOMA ®

G-DOK IND.

MODEL NAME

GXTD-150-ASF

A

B

C

E

F

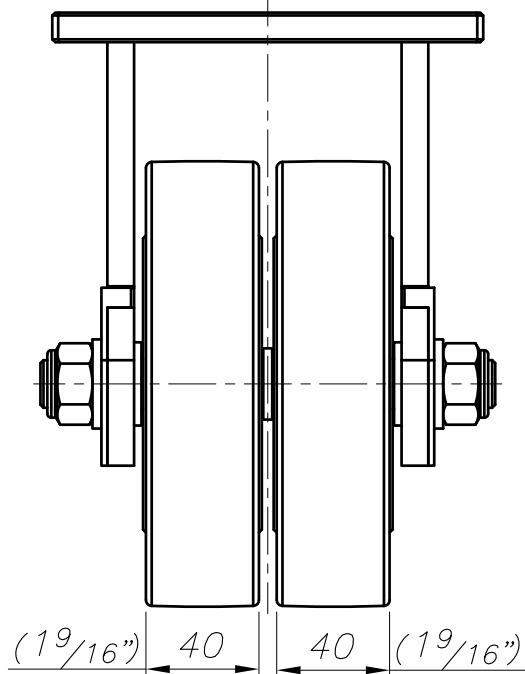
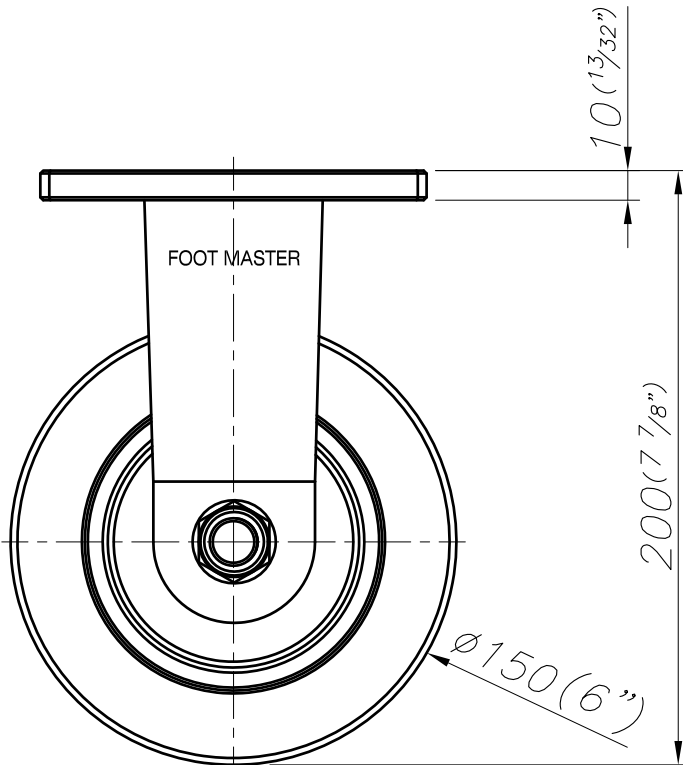
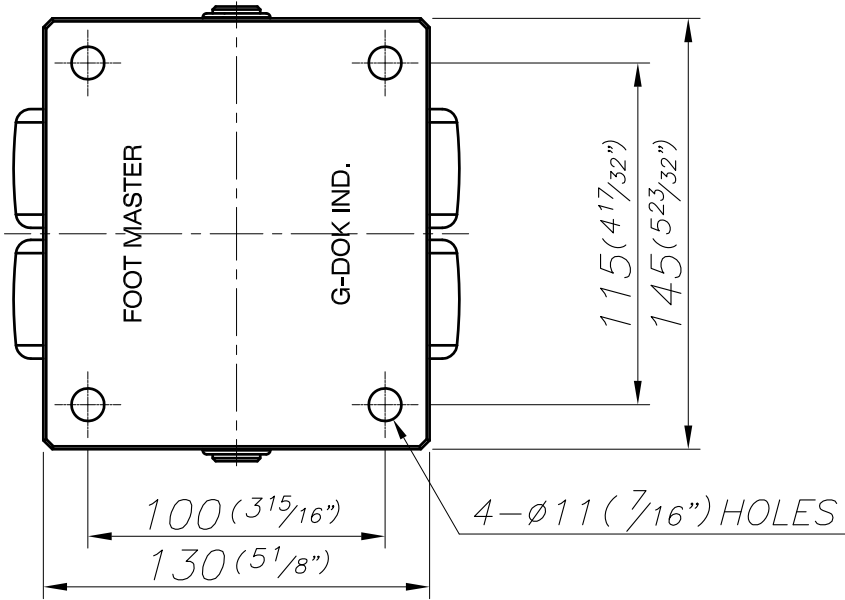
G

FOOT MASTER

G-DOK IND.

FOOT MASTER

G-DOK IND.



FOOT MASTER®

FOOMA®

G-DOK IND.

MODEL NAME

GXTD-150-ARF

A

B

C

E

F

G