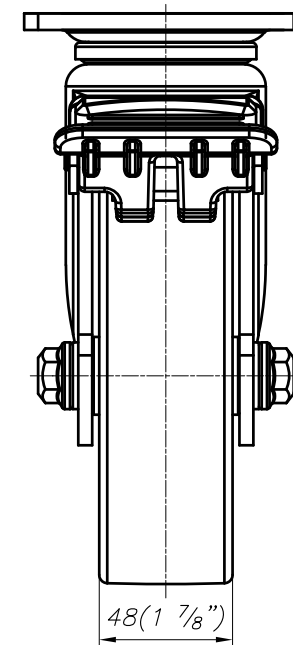
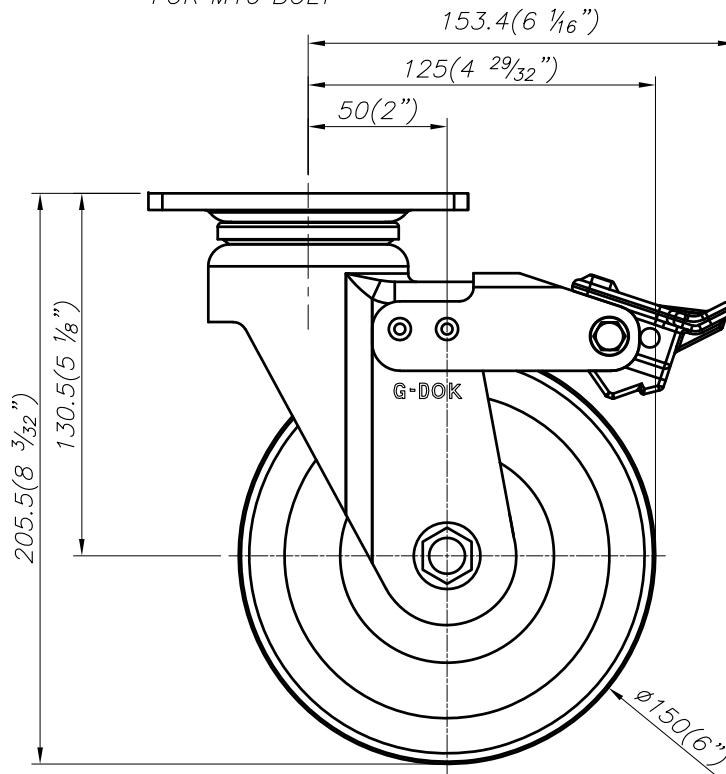


4- $\phi 11(7/16)$ " SLOT HOLES
FOR M10 BOLT



FOOT MASTER[®]

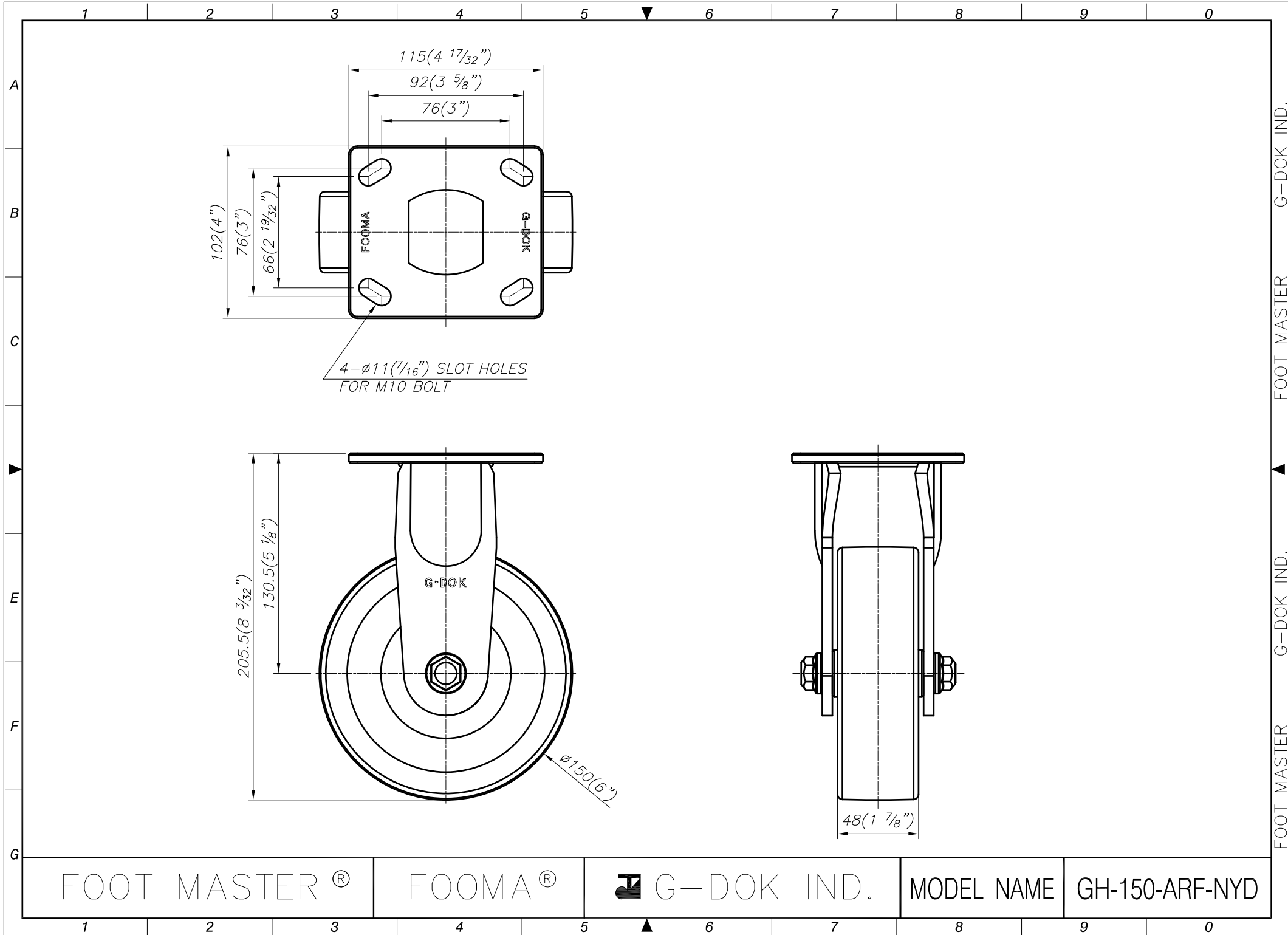
FOOMA[®]

 G-DOK IND.

MODEL NAME

GH-150-BSF-NYD

FOOT MASTER G-DOK IND. FOOT MASTER G-DOK IND.



FOOT MASTER®

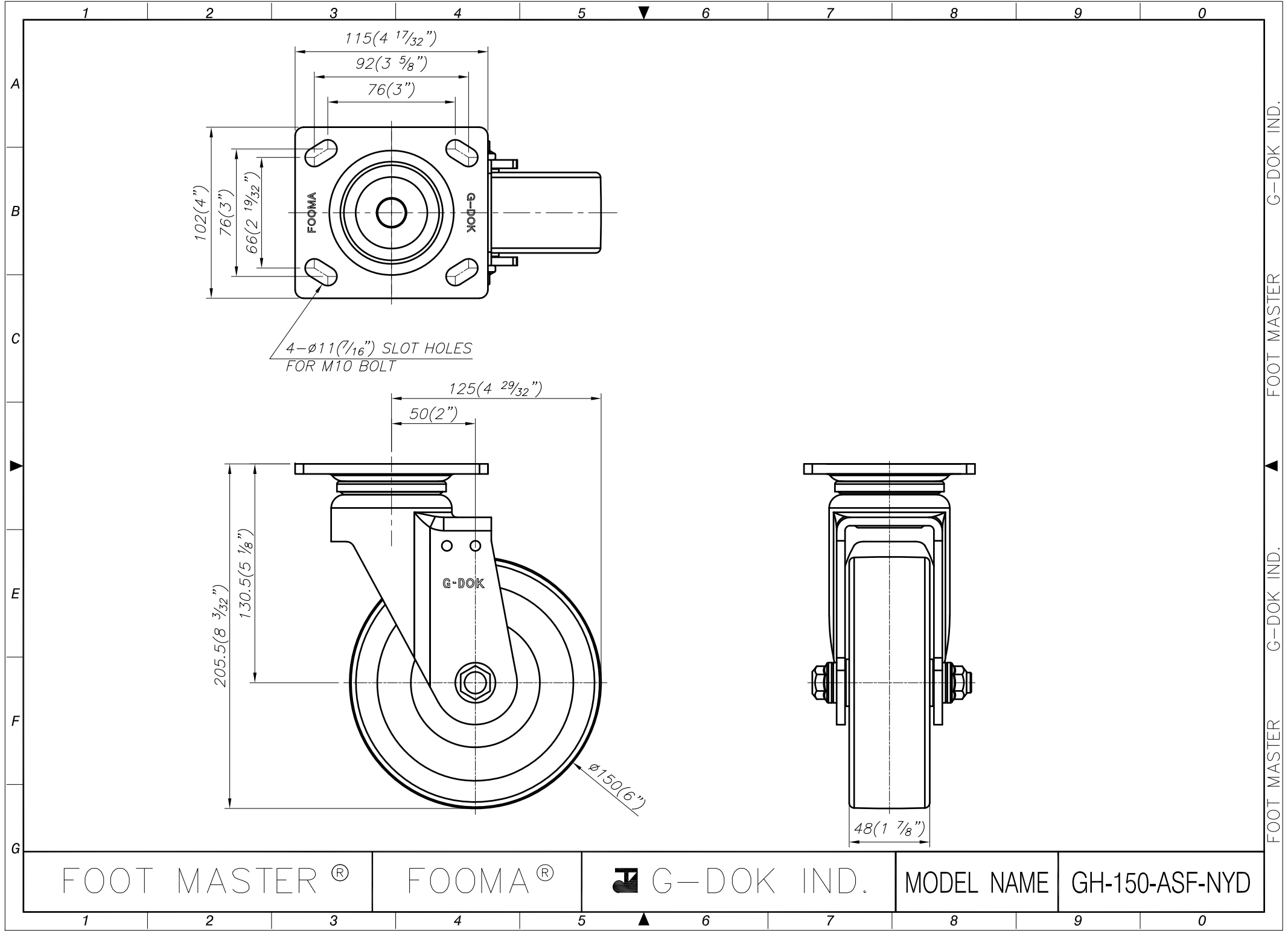
FOOMA®

G-DOK IND.

MODEL NAME

GH-150-ARF-NYD

FOOT MASTER G-DOK IND.



FOOT MASTER[®]

FOOMA[®]

 G-DOK IND.

MODEL NAME

GH-150-ASF-NYD

FOOT MASTER G-DOK IND.