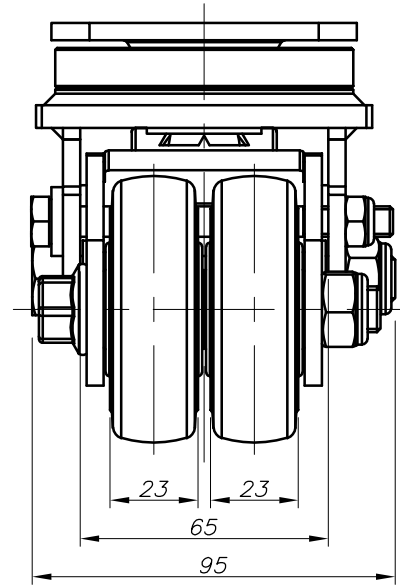
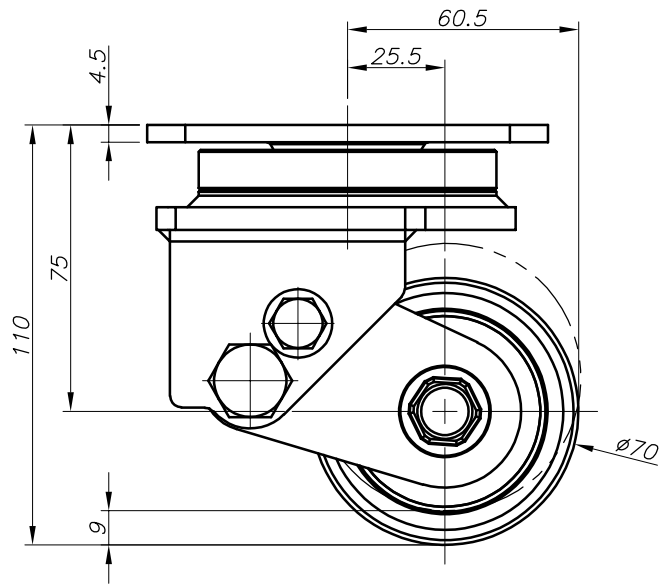
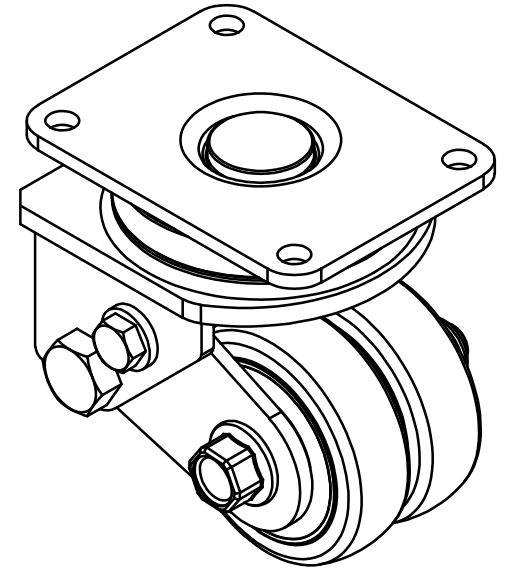
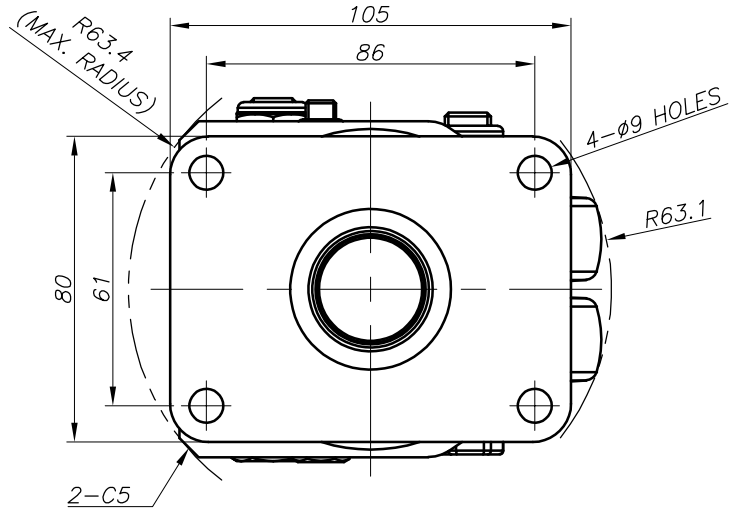


REV. NO.	DATE	DESCRIPTION	APP'D	REMARKS
1	-	-	-	-



NOTE

- ±1) LOAD CAPACITY : 250KG/EA
- ±2) SURFACE TREATMENT : SILVER POWDER COATED
- ±3) WHEELCORE : ALDC
- ±4) WHEELTREAD : TDI+NATURAL, HARDNESS 70D±3
- ±5) CUSION : RUBBER, HARDNESS 65A±3

PROCESS		GENERAL TOLERANCE															
MATERIAL		MACHINING WORKING				DIE CASTING				INJECTION MOLDING				PRESS WORKING			
APPROVED BY		CHECKED BY		DRAWN BY		FINISH		PRECISION		GENERAL		FINISH		PRECISION		GENERAL	
O.C.K		J.Y.H		J.T.H		±0.15		±0.1		±0.2		±0.15		±0.2		±0.15	

FOOT MASTER®		FOOMA®		G-DOK IND.	
CUSTOMER	AGV CASTER	DATE	2023.11.20	GSN NO.	59714-111111
PRODUCT NAME	GASD-70-ASF-XUD	SCALE	N/S	DWG. NO.	59714-111111
PART NAME	ASSEMBLY	WEIGHT	--	REVISION	SIZE A3
		GENERAL TOLERANCE	B	ANGLE	⊕ ⊖

FOOT MASTER G-DOK IND.