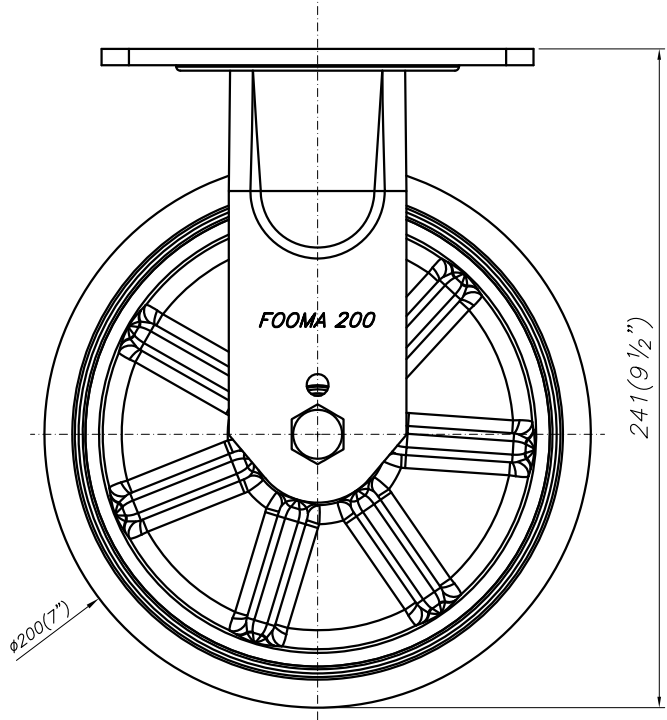
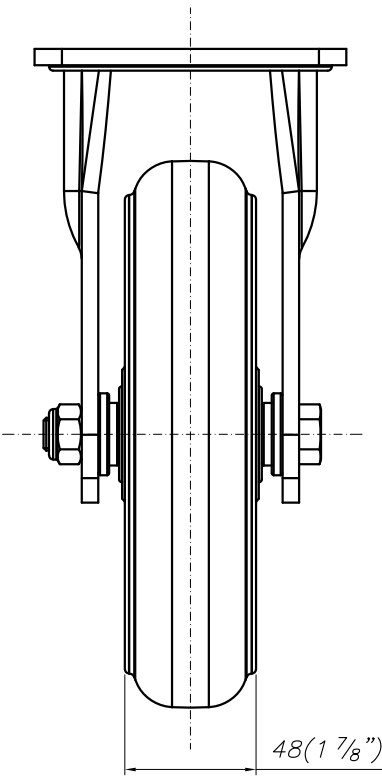
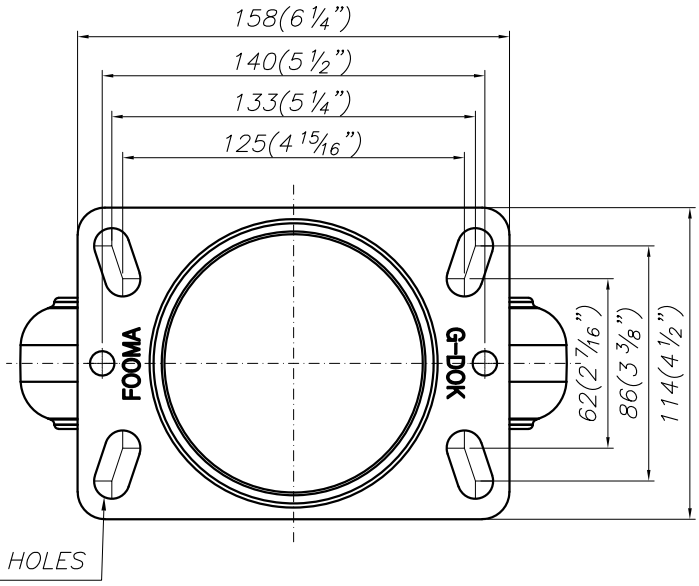


1
2
3
4
5
6
7
8
9
0

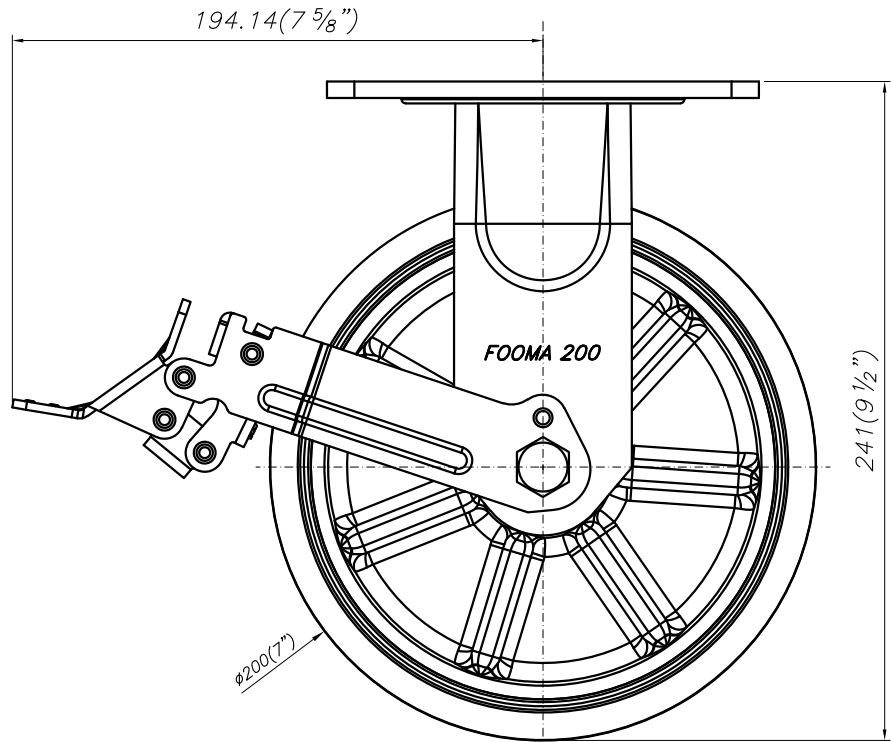
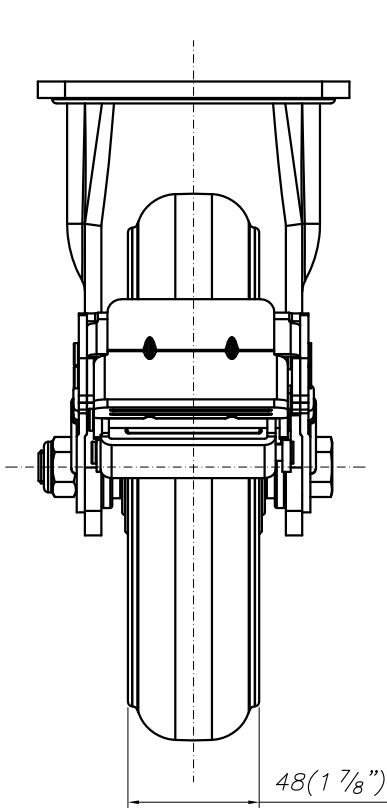
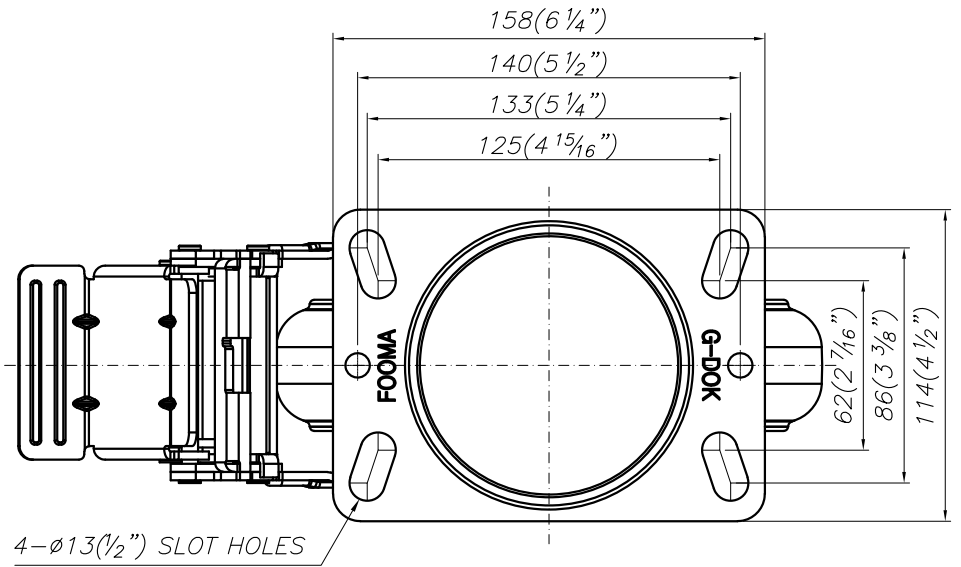
1
2
3
4
5
6
7
8
9
0



FOOT MASTER®	FOOMA®	G-DOK IND.	MODEL NAME	PMH-200-ARF-MUD
A	B	C	E	F

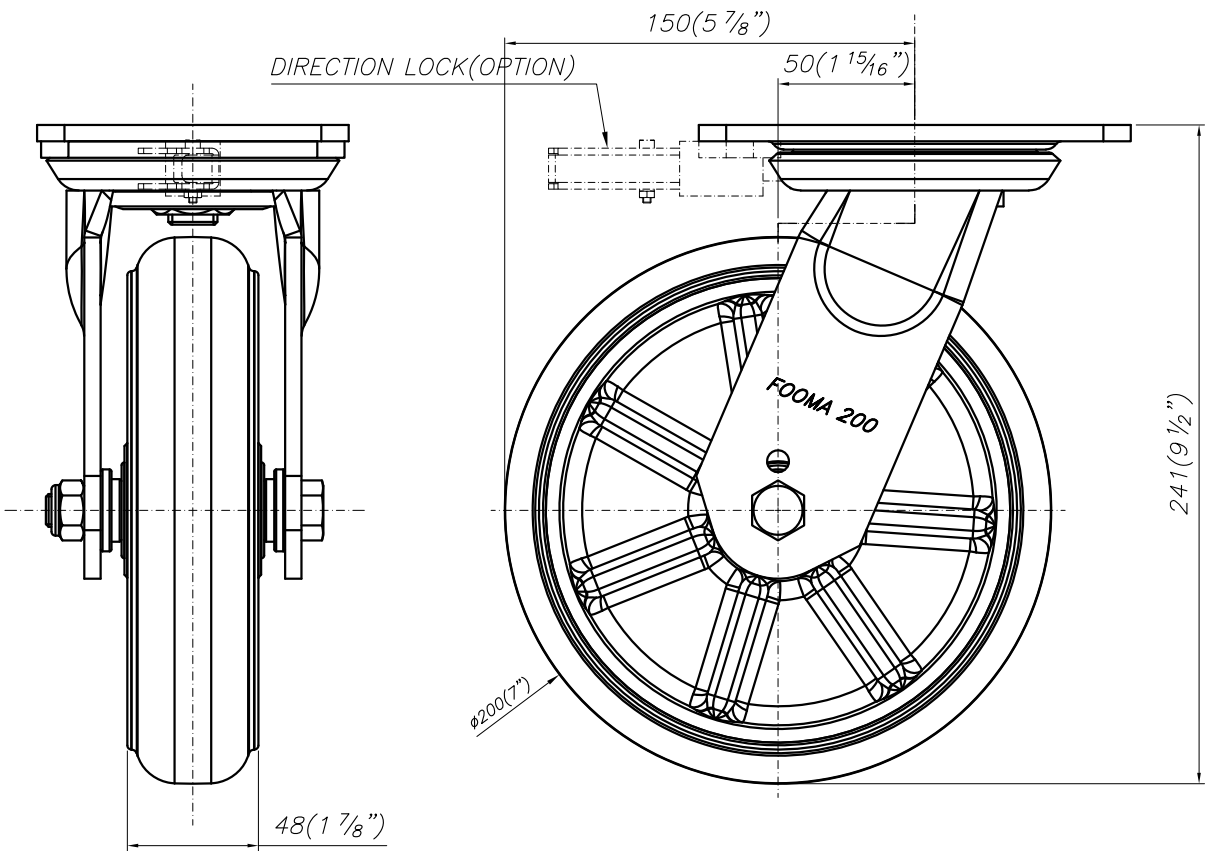
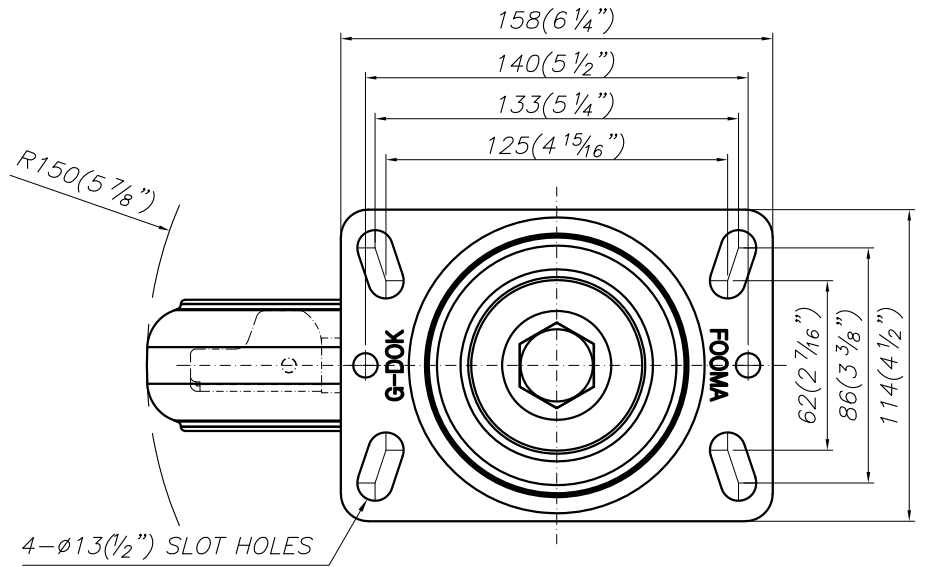
1
2
3
4
5
6
7
8
9
0

1
2
3
4
5
6
7
8
9
0



1
2
3
4
5
6
7
8
9
0

1
2
3
4
5
6
7
8
9
0



1
2
3
4
5
6
7
8
9
0

1
2
3
4
5
6
7
8
9
0

