

FOOT MASTER®

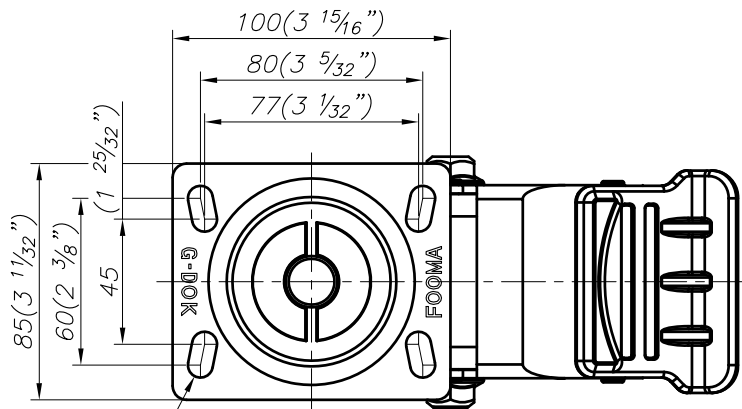
FOOMA®

G-DOK IND.

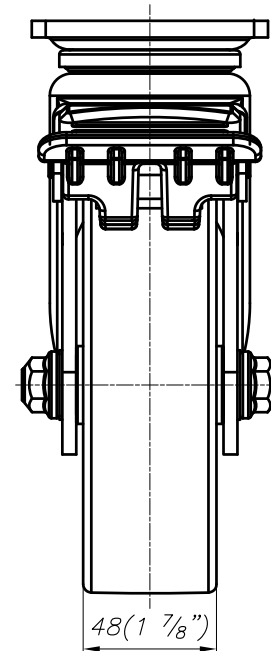
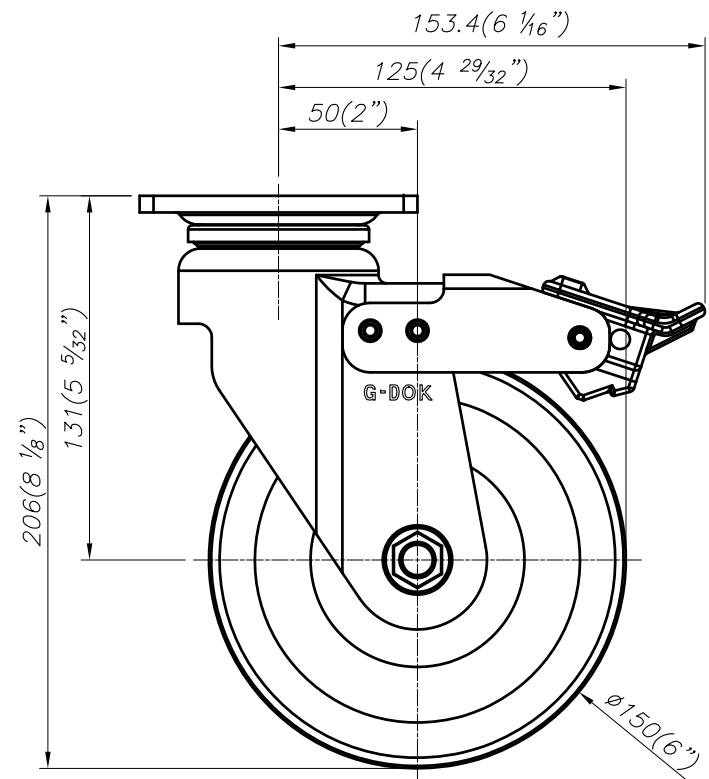
MODEL NAME

PH-150-ASF

FOOT MASTER G-DOK IND. FOOT MASTER G-DOK IND.



4-ø9 (1 1/32") SLOT HOLES FOR M8 BOLT



WHEEL : HUWD, MCD

FOOT MASTER®

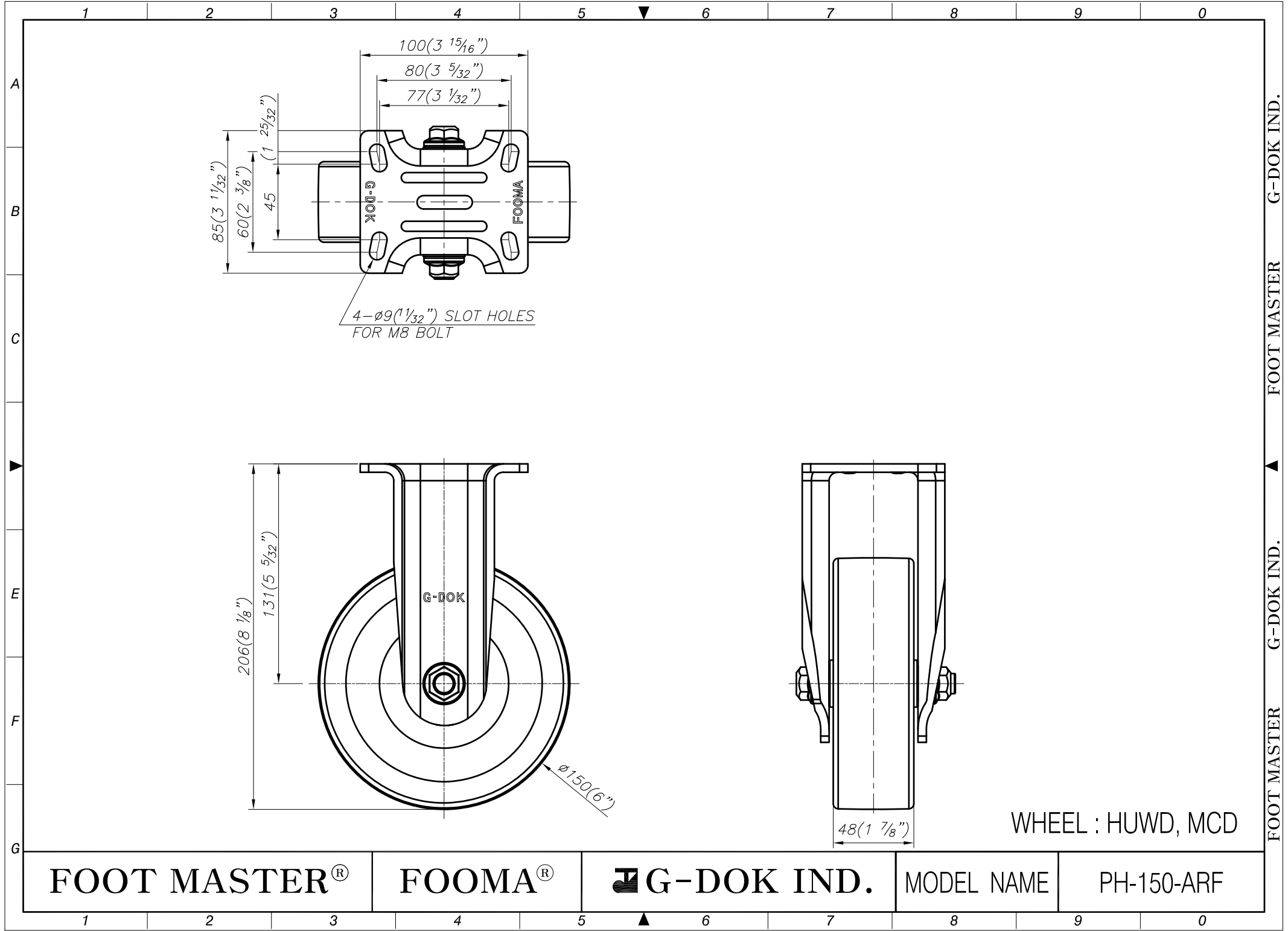
FOOMA®

G-DOK IND.

MODEL NAME

PH-150-BSF

FOOT MASTER G-DOK IND. FOOT MASTER G-DOK IND.



FOOT MASTER®

FOOMA®

 G-DOK IND.

MODEL NAME

PH-150-ARF

FOOT MASTER G-DOK IND. FOOT MASTER G-DOK IND. FOOT MASTER G-DOK IND.