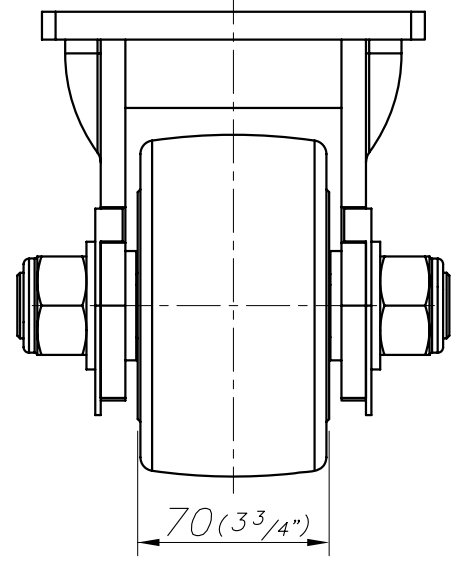
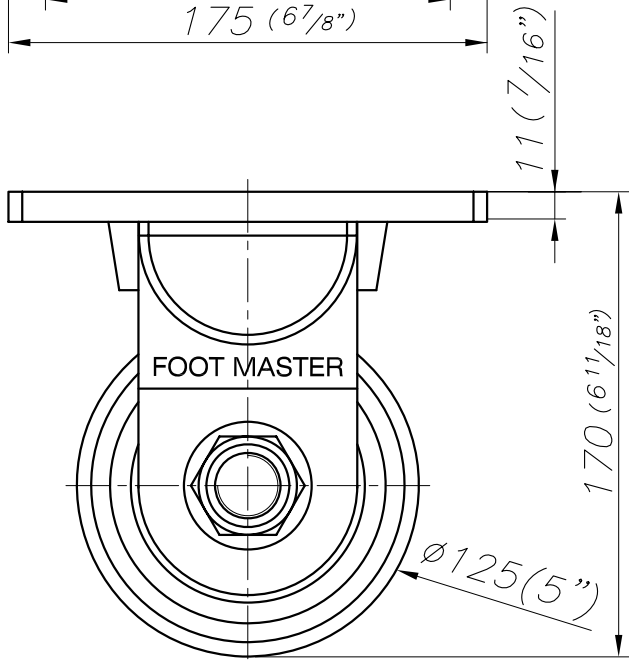
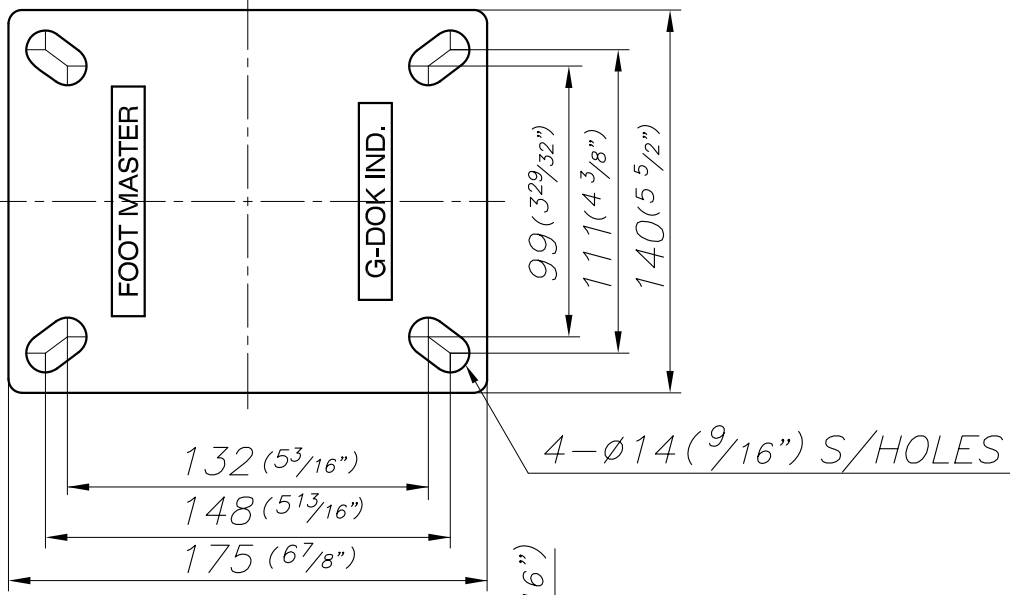


1
2
3
4
5
6
7
8
9
0

1
2
3
4
5
6
7
8
9
0



FOOT MASTER

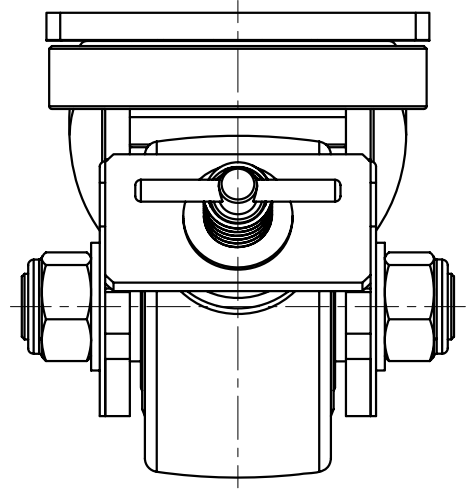
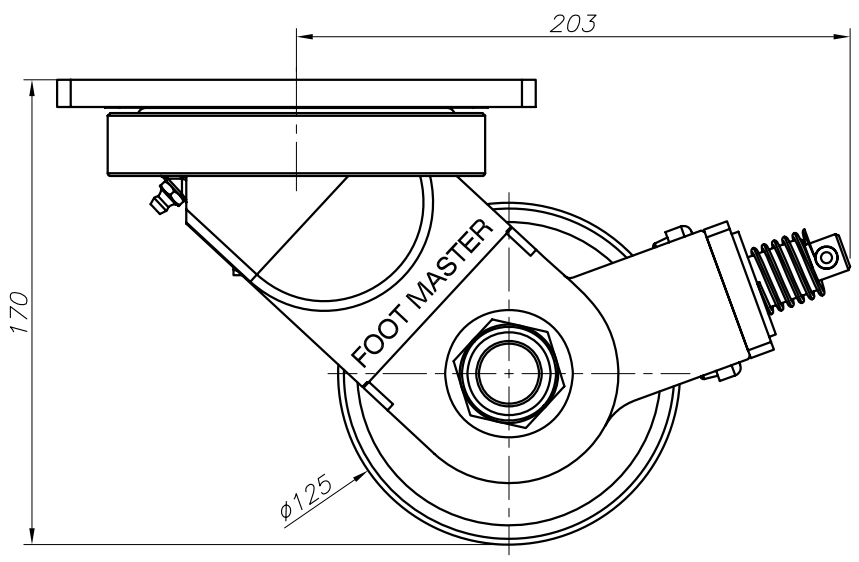
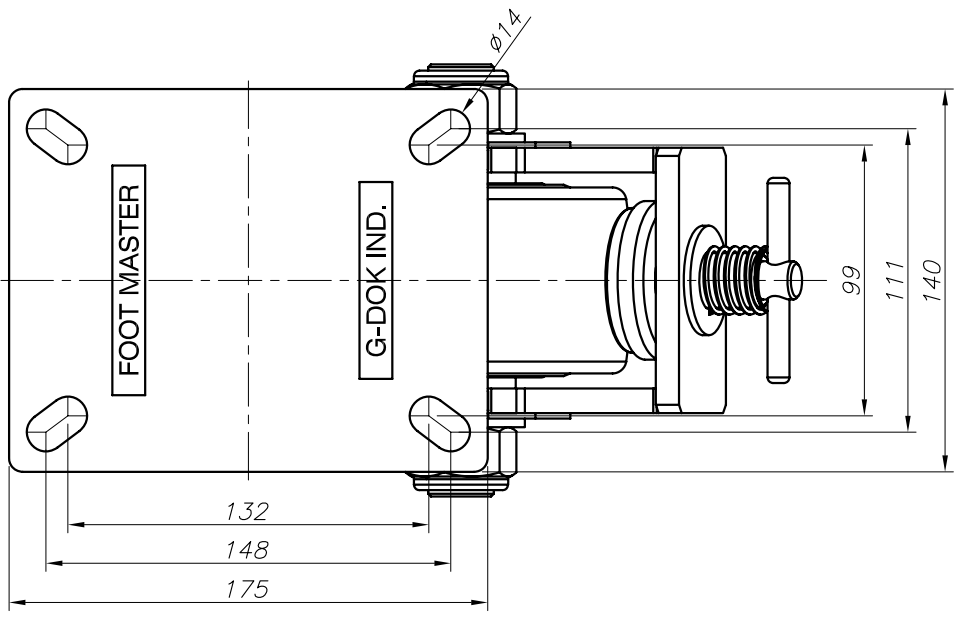
G-DOK IND.

FOOT MASTER

G-DOK IND.

1
2
3
4
5
6
7
8
9
0

1
2
3
4
5
6
7
8
9
0



FOOT MASTER®	FOOMA®	G-DOK IND.	MODEL NAME	GXT-125-BSF-MCD
--------------	--------	------------	------------	-----------------

A	B	C	▲	E	F	G
---	---	---	---	---	---	---

FOOT MASTER

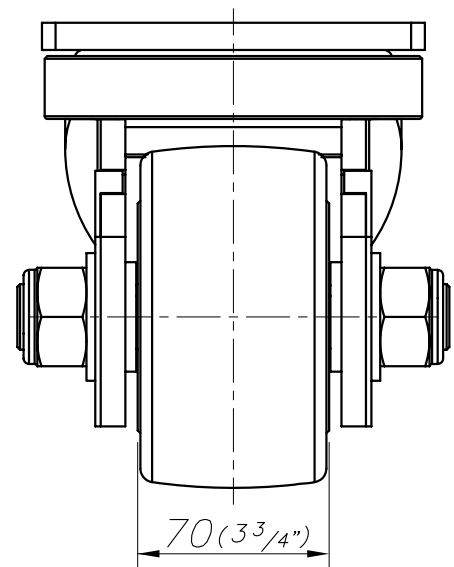
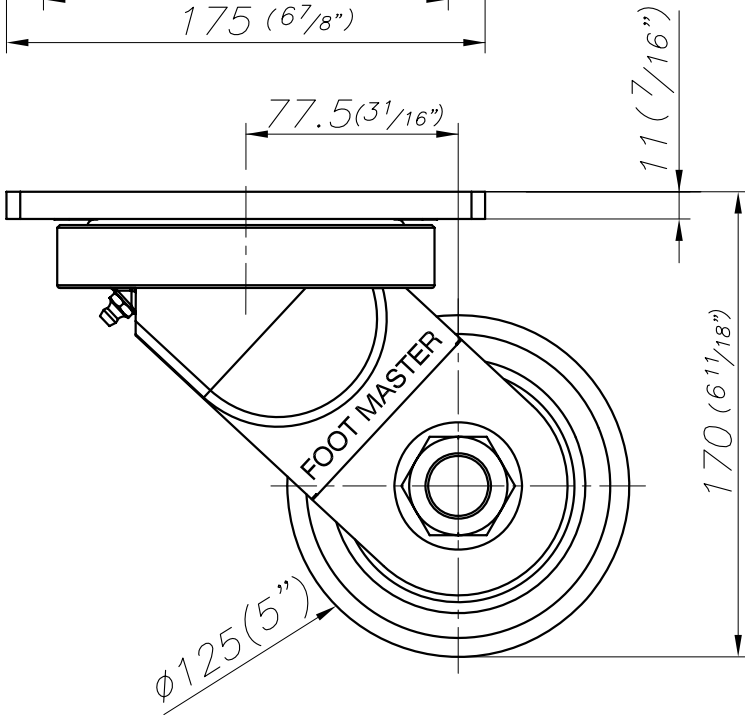
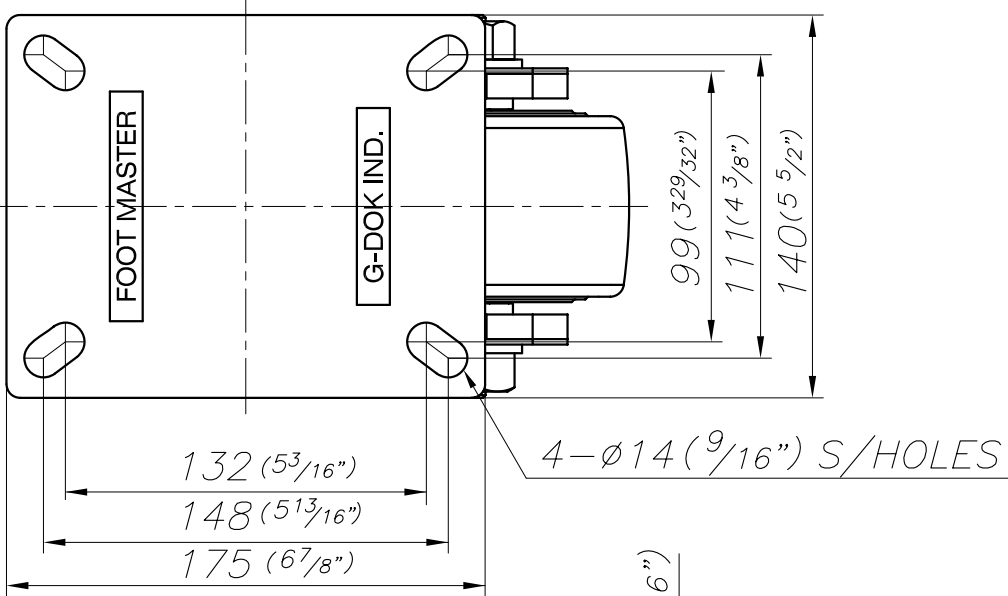
G-DOK IND.

FOOT MASTER

G-DOK IND.

1
2
3
4
5
6
7
8
9
0

1
2
3
4
5
6
7
8
9
0



FOOT MASTER®

FOOMA®

G-DOK IND.

MODEL NAME

GXT-125-ASF-MCD

A

B

C

E

F

G