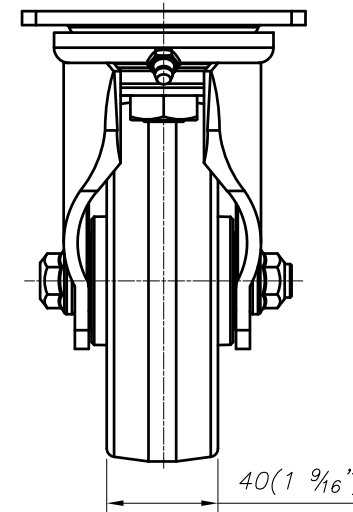
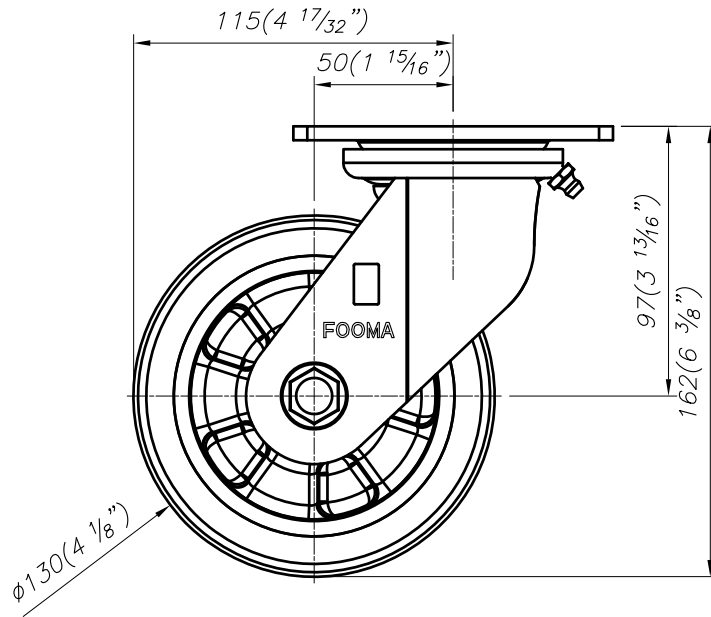


4- $\phi 11(7/16)$  SLOT HOLES  
FOR M10 BOLT



WHEEL : MUD, HUD, SUD

FOOT MASTER<sup>®</sup>

FOOMA<sup>®</sup>

G-DOK IND.

MODEL NAME

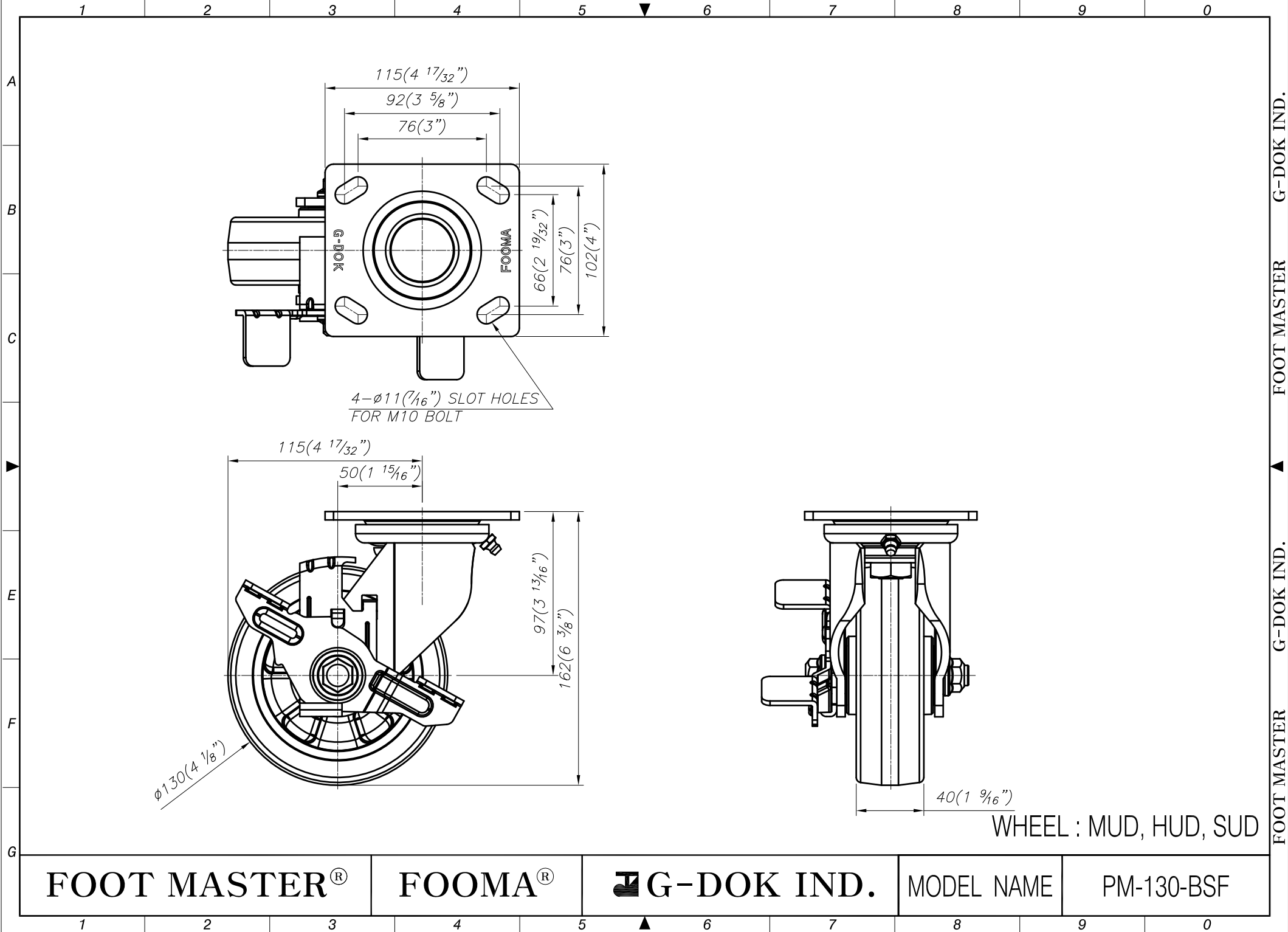
PM-130-ASF

G-DOK IND.

FOOT MASTER

G-DOK IND.

FOOT MASTER



4- $\phi 11(7/16)$  SLOT HOLES  
FOR M10 BOLT

WHEEL : MUD, HUD, SUD

**FOOT MASTER<sup>®</sup>**

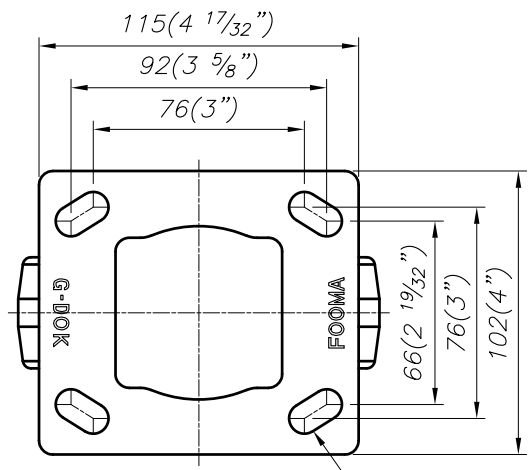
**FOOMA<sup>®</sup>**

**G-DOK IND.**

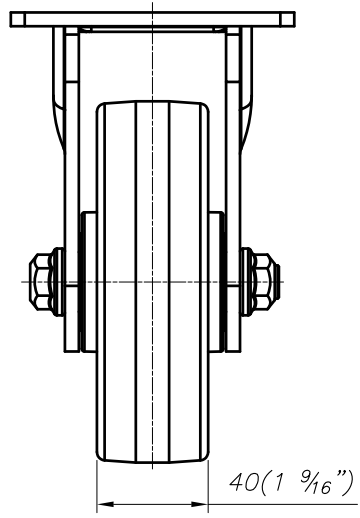
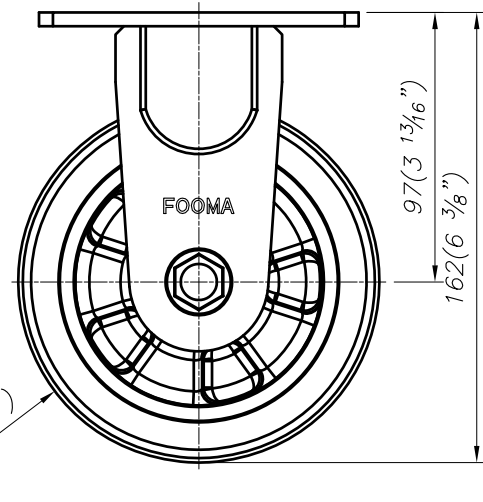
MODEL NAME

PM-130-BSF

FOOT MASTER G-DOK IND. FOOT MASTER G-DOK IND.



4- $\phi 11(7/16)$  SLOT HOLES  
FOR M10 BOLT



WHEEL : MUD, HUD, SUD

**FOOT MASTER<sup>®</sup>**

**FOOMA<sup>®</sup>**

**G-DOK IND.**

MODEL NAME

PM-130-ARF

FOOT MASTER G-DOK IND. FOOT MASTER G-DOK IND.