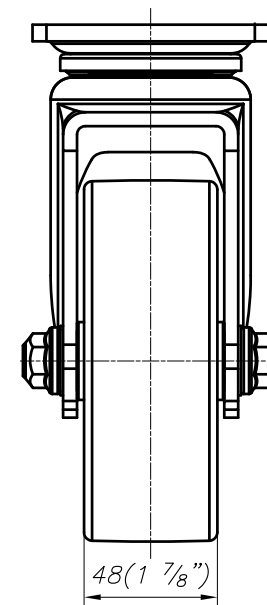
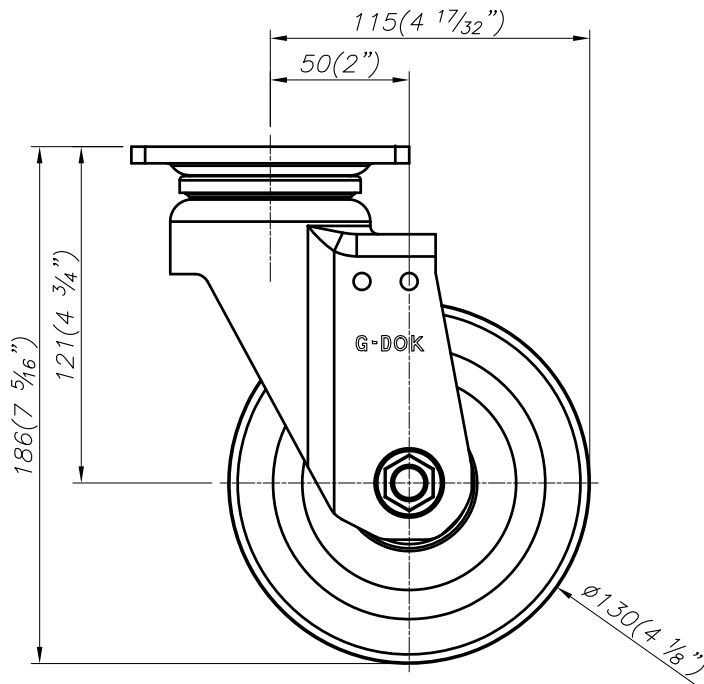


4- $\varnothing 9(1\frac{1}{32})$ SLOT HOLES
FOR M8 BOLT



WHEEL : HUWD, MCD

FOOT MASTER®

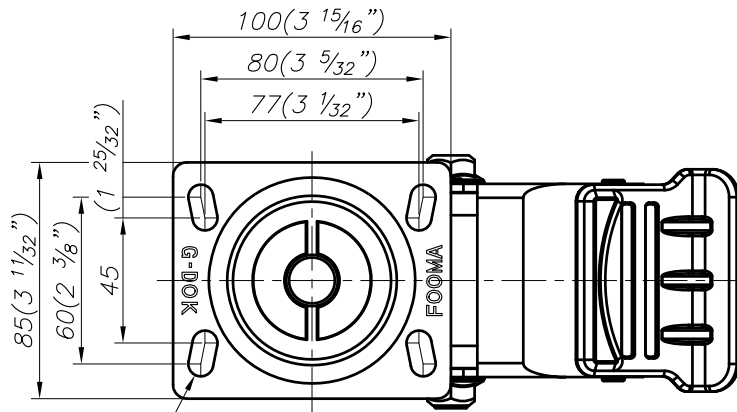
FOOMA®

G-DOK IND.

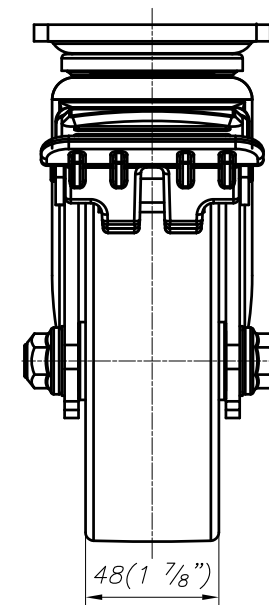
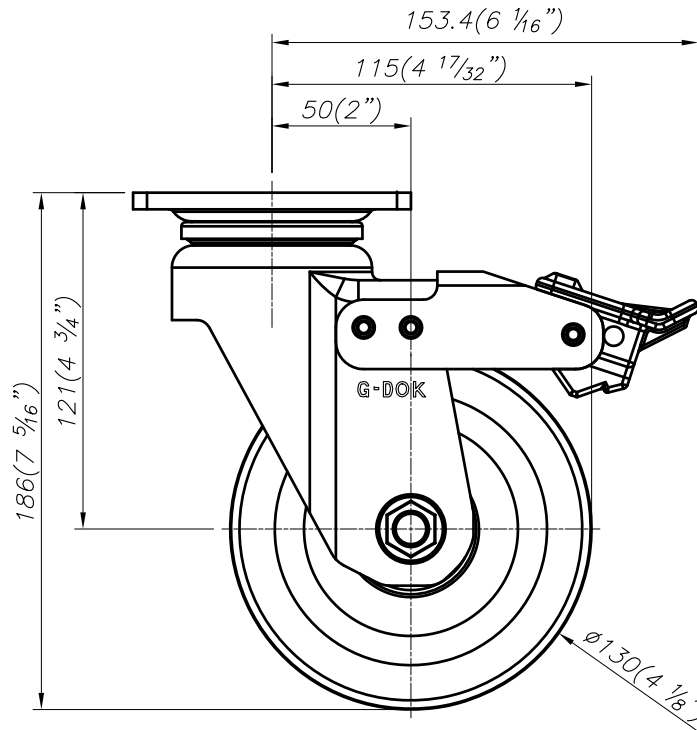
MODEL NAME

PH-130-ASF

FOOT MASTER G-DOK IND. FOOT MASTER G-DOK IND.



4- $\varnothing 9(1\frac{1}{32})$ SLOT HOLES
FOR M8 BOLT



WHEEL : HUWD, MCD

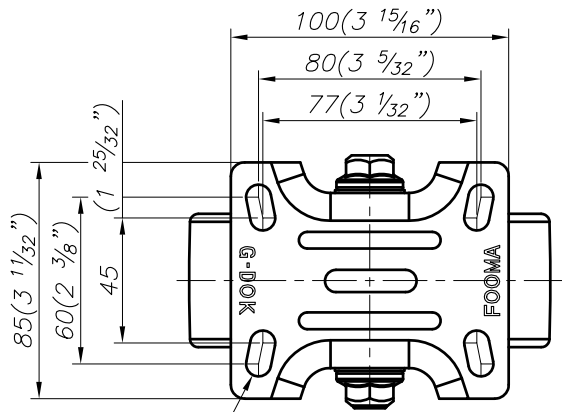
FOOT MASTER®

FOOMA®

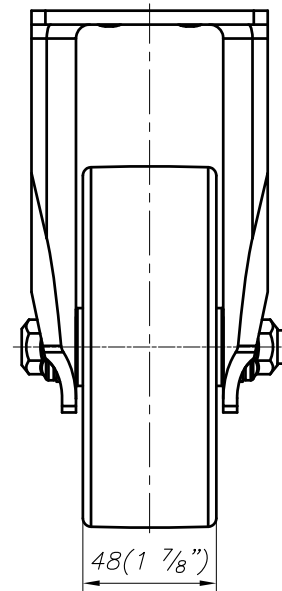
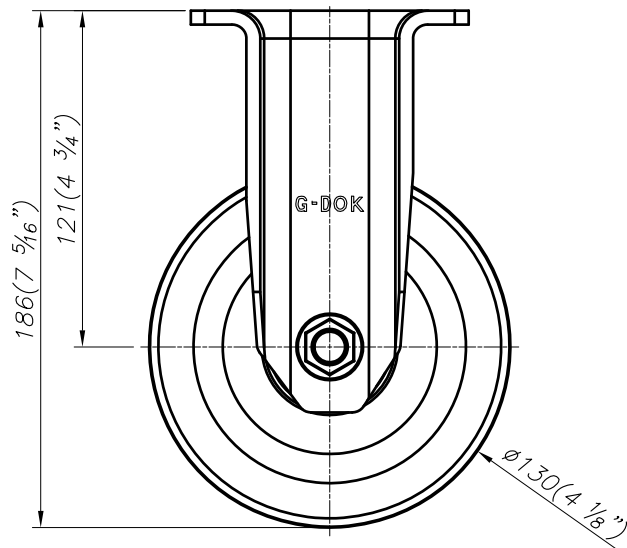
G-DOK IND.

MODEL NAME

PH-130-BSF



4- $\varnothing 9 (1 \frac{1}{32} \text{''})$ SLOT HOLES
FOR M8 BOLT



WHEEL : HUWD, MCD

FOOT MASTER®

FOOMA®

G-DOK IND.

MODEL NAME

PH-130-ARF

FOOT MASTER G-DOK IND. FOOT MASTER G-DOK IND. FOOT MASTER G-DOK IND.